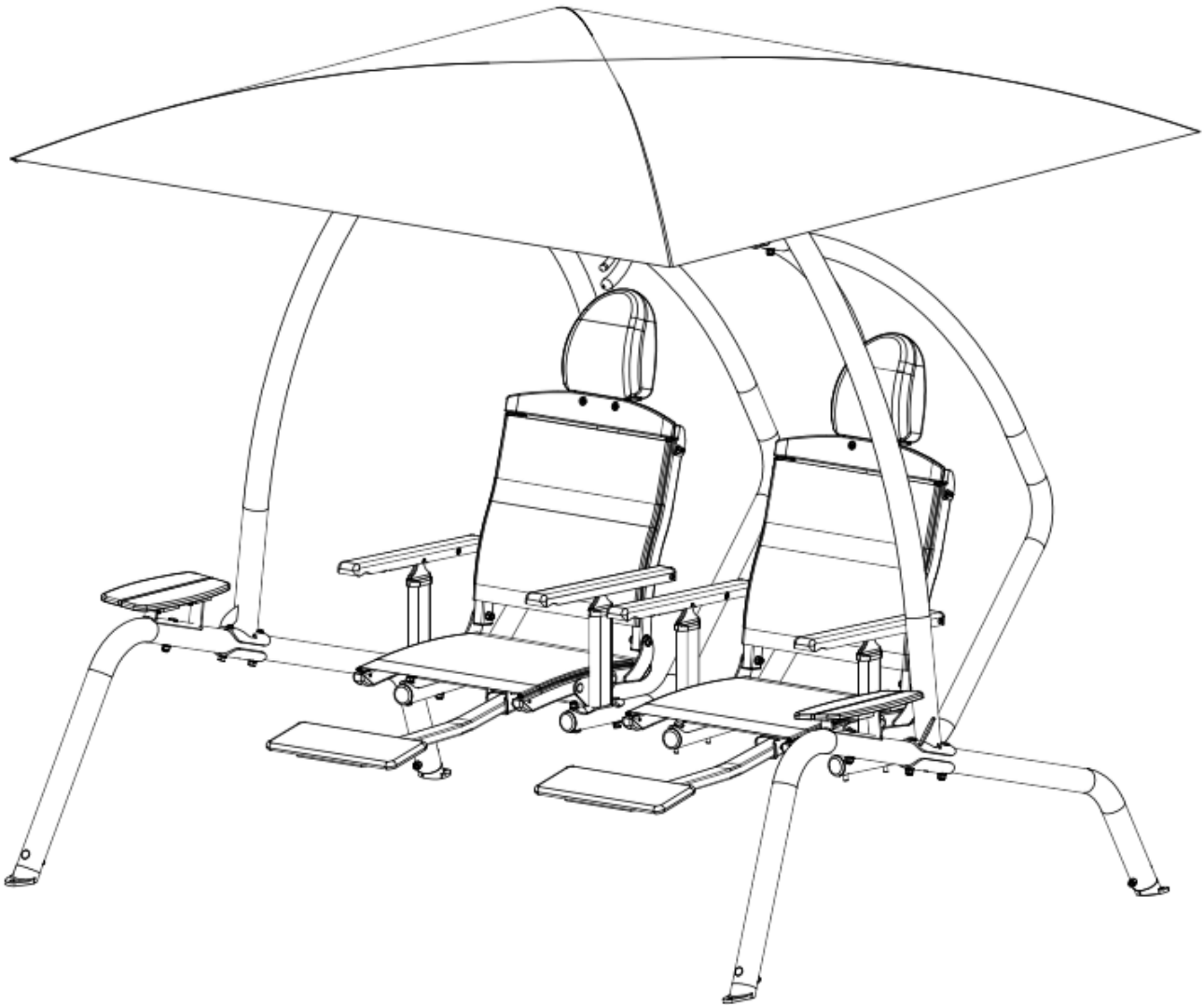


Sunset Swings®

By Health In Motion, LLC

Assembly & Operation Manual

Model 422SB *Dual Recliner Swing*



Record Serial Number Here

Caution:

READ! VERY IMPORTANT FOR ADULTS ONLY

Ensure that the 422SB swing is set up on a firm level surface.

Make sure the swing has completely stopped before entering or exiting the swing. Be careful as the swing may shift while sitting down or getting up from the swing.

The foot rest should be tucked under the seat when entering or exiting the swing.

Keep all body parts within the swing seat while in motion.

Make sure bystanders are at least 5 feet away from the swing while it is in motion. Be careful placing the swing too close to a structure as severe injury might occur if a person gets caught between the structure and the swing or damage might occur if the swing hits the structure.

Be cautious swinging while children are present as they may stray into the path of the swing.

Review the maintenance schedule before each use to ensure the swing is in good working order.

This swing is for casual relaxation swinging only.

In freezing climates, the canopy should be removed, folded and stored in a dry place before the first freeze or snow and until the last freeze or snow has passed. Failure to follow these instructions can cause damage to the canopy or canopy rods and will void the warranty.

The canopy is not designed for high winds. If high winds are expected, please remove the canopy. Failure to follow this instruction can cause damage to the canopy or the canopy rods and will void the warranty.

The swing uses a natural hardwood which might contain slight imperfections.

Thank you for choosing Sunset Swings®. Please read the contents of this manual thoroughly. The information inside will help you in many different areas. You will need to send in your customer registration card at the back of this manual to validate your warranty. You may also complete your customer registration at www.sunsetswings.com.

Table of Contents

Positioning Your Swing	3
Tools Required For Assembly	3
Helpful Installation Hints	3
Exploded Swing Diagram	4
Hardware and Tool Diagram	5
Parts and Hardware List	6
Assembly Instructions	7-16
Adjustments	17-18
Weekly Maintenance Information	19
Safety Information	20
Label Reference	21
Limited Warranty	22
Warranty Claim Procedure	22

Sunset Swings® by Health In Motion LLC reserves the right to alter the specifications of this product at any time.

Positioning Your Swing

1. **The swing is designed to be installed on a firm level surface.**
2. **There should be a minimum clearance of five feet in front and back, and two feet on each side of your swing. It should be placed in an area where children will not stray or walk into the path of the swing.**
3. **Be careful placing the swing too close to a structure as severe injury might occur if someone gets caught between the structure and the swing or damage might occur if the swing hits the structure.**

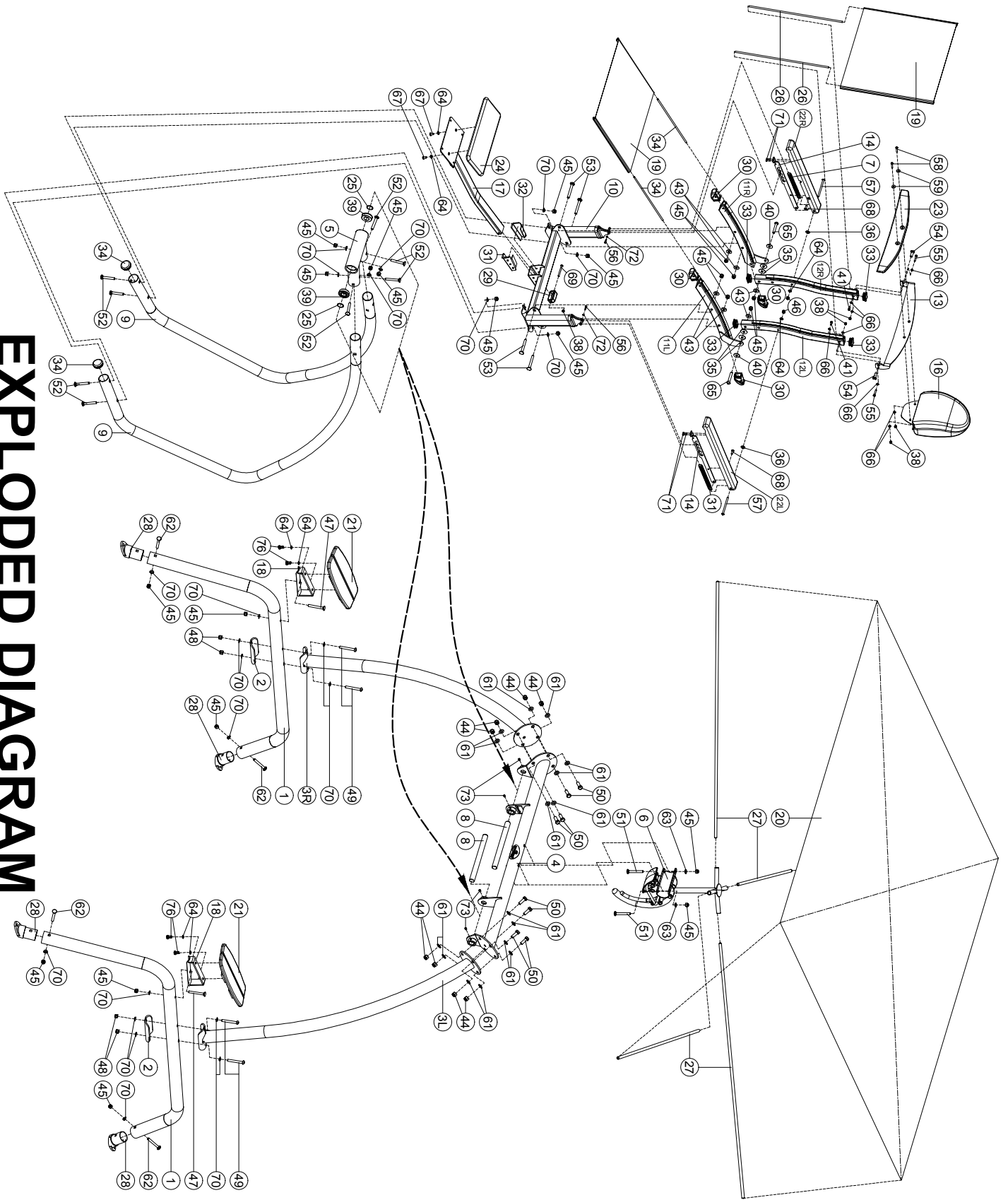
Tools required for assembly

1. 10, 14, 17 and 19 mm box or ratchet wrench
2. 4, 5 and 6 mm Allen wrenches (supplied with the hardware)

Helpful installation hints

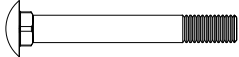
1. **At least 2 people are required to assemble this swing. Some parts are large and heavy. Use care when handling.**
2. Identify all of the parts for your swing. Empty the boxes and lay out the parts for identification using the Parts List.
3. Read all the way through the instructions completely before beginning the assembly.
4. Do not tighten hardware completely until instructed. It helps to have some adjustment for bolt alignment while you are connecting parts. Follow the tightening sequence as mentioned in the steps. **After you have completed the assembly, recheck that all hardware is secure and tight.**

EXPLODED DIAGRAM





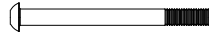
#59 M6 Fender Washer (Qty 4)



#47 M 10 x 3 1/8" Carriage Bolt (Qty 2)



#41 M6 x 1 1/8" Hex Head Bolt (Qty 4)



#69 M6 x 2 3/4" Button Head Bolt (Qty 2)



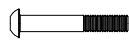
#68 M6 x 3/4" Button Head Bolt (Qty 4)



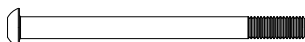
#67 M8 x 5/8" Button Head Bolt (Qty 4)



#76 M8 x 1 5/8" Hex Head Bolt (Qty 4)



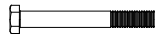
#58 M6 x 1 1/2" Button Head Bolt (Qty 4)



#57 M8 x 4 1/8" Button Head Bolt (Qty 4)



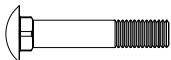
#56 M5 x 5/8" Socket Cap Head Bolt (Qty 4)



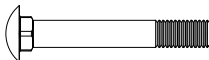
#55 M6 x 1 7/8" Hex Head Bolt (Qty 4)



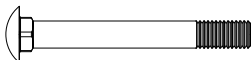
#54 M6 x 1 1/8" T-Nut (Qty 4)



#53 M10 x 2 1/4" Carriage Bolt (Qty 8)



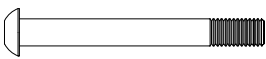
#52 M10 x 2 3/4" Carriage Bolt (Qty 16)



#51 M10 x 3 1/4" Carriage Bolt (Qty 2)



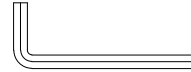
#50 M12 x 1 3/8" Hex Head Bolt (Qty 8)



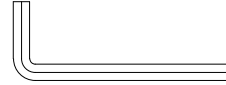
#49 M10 x 3 1/2" Button Head Bolt (Qty 4)



#60 TOOL : 4mm Allen Wrench (Qty 1)



#75 TOOL : 5mm Allen Wrench (Qty 1)



#74 TOOL : 6mm Allen Wrench (Qty 1)



#43 M10 Big Flat Washer (Qty 12)



#42 M8 Fender Washer (Qty 4)



#48 M10 Thick Lock Nut (Qty 4)



#38 M6 Lock Nut (Qty 10)



#46 M 8 Lock Nut (Qty 4)



#45 M10 Lock Nut (Qty 32)



#44 M12 Lock Nut (Qty 8)



#72 M5 Lock Washer (Qty 4)



#70 M10 Arc Washer (Qty 30)



#66 M6 Flat Washer (Qty 16)



#64 M8 Flat Washer (Qty 6)

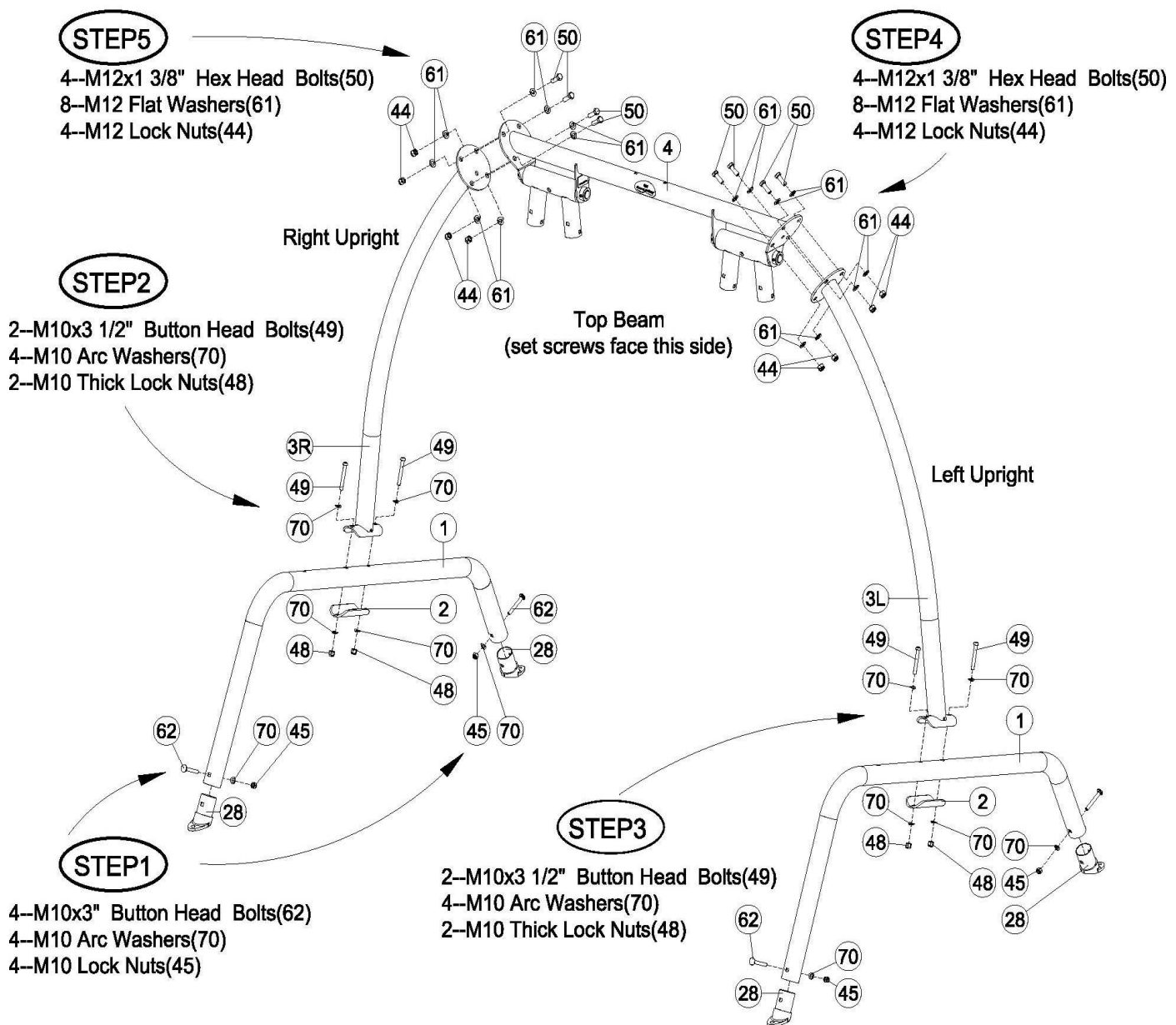


#63 M10 Flat Washer (Qty 2)



#61 M12 Flat Washer (Qty 16)

parts list			hardware list		
Part#	Description	Q'ty (pcs)	Part#	Description	Q'ty (pcs)
1	Bent Leg	2	38	M6 Lock Nut	10
2	Curved Flange	2	39	Bearing	4
3L	Right Upright Assembly	1	40	Dock Washer	4
3R	Left Upright Assembly	1	41	M6*1 1/8" Hex Head Bolt	4
4	Top Beam Assembly(with Bearing Housings installed)	1	42	M8 Fender Washer	4
5	Bearing Housing	2	43	M10 Fender Washer	12
6	Adjustable Canopy Support Assembly	1	44	M12 Lock Nut	8
7	Extension Spring	4	45	M10 Lock Nut	36
8	Pivot Shaft	2	46	M8 Lock Nut	4
9	Swing Support Arm	4	47	M10*3 1/8" Carriage Bolt	2
10	Seat Frame	2	48	M10 Thick Lock Nut	4
11R	Left Seat Bottom Tube	2	49	M10*3 1/2" Button Head Bolt	4
11L	Right Seat Bottom Tube	2	50	M12*1 3/8" Hex Head Bolt	8
12R	Left Seat Back Tube	2	51	M10*3 1/4" Carriage Bolt	2
12L	Right Seat Back Tube	2	52	M10*2 3/4" Carriage Bolt	16
13	Head Board Bracket	2	53	M10*2 1/4" Carriage Bolt	8
14	Ratchet mechanism	4	54	T-Nut	4
15	Headrest Base Frame	2	55	M6*1 7/8" Hex Head Bolt	4
16	Tilting Headrest Assembly(pre-assembled)	2	56	M5*5/8"Socket Cap Screw	4
17	Footrest Frame	2	57	M8*4 1/8" Button Head Bolt	4
18	Wood Support Bracket	2	58	M6*1 1/2" Button Head Bolt	4
19	Fabric	4	59	M6 Fender Washer	4
20	Canopy	1	60	4mm Allen Wrench	1
21	Wood Table	2	61	M12 Flat Washer	16
22L	Left Wood Arm	2	62	M10*3" Carriage Bolt	4
22R	Right Wood Arm	2	63	M10 Flat Washer	2
23	Head Board	2	64	M8 Flat Washer	16
24	Footrest Pad	2	65	M10*2 1/8" Button Head Bolt	4
25	Φ1" Spacer	4	66	M6 Flat Washer	16
26	Fabric Rod	8	67	M8*5/8" Button Head Bolt	4
27	Canopy Rod	4	68	M6*3/4" Button Head Bolt	4
28	Swing Foot	4	69	M6*2 3/4" Button Head Bolt	2
29	Retainer End Bumper	2	70	M10 Arc Washer	30
30	30*40*45 Deg End Cap	8	71	ST3.5*1" Wood Screw	8
31	Foot Rest Left	2	72	M5 Lock Washer	4
32	Foot Rest Right	2	73	Set Screw	4
33	30*40 End Cap	8	74	6mm Allen Wrench	1
34	Φ2" End Cap	4	75	5mm Allen Wrench	1
35	Film Washer	8	76	M8*5/8" Hex Head Bolts	4
36	Thick Plastic Washer	4			



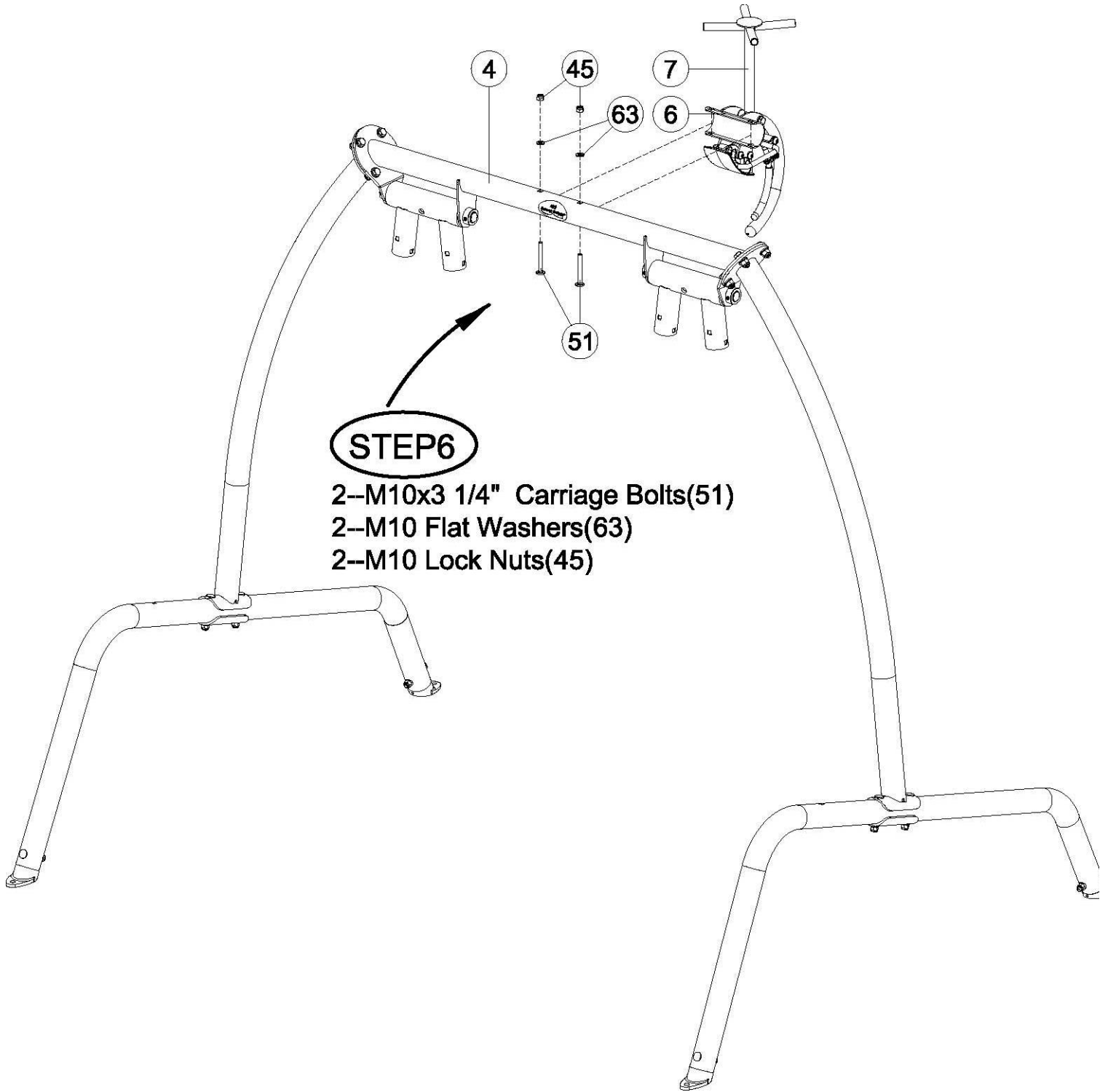
Two people are required for Steps 1 through 5

Steps 1. Attach the Swing Feet(#28) to both Bent Legs(#1)

Steps 2 and 3. Attach the Bent Legs(#1) to the Right(#3R) and Left(#3L) Uprights.

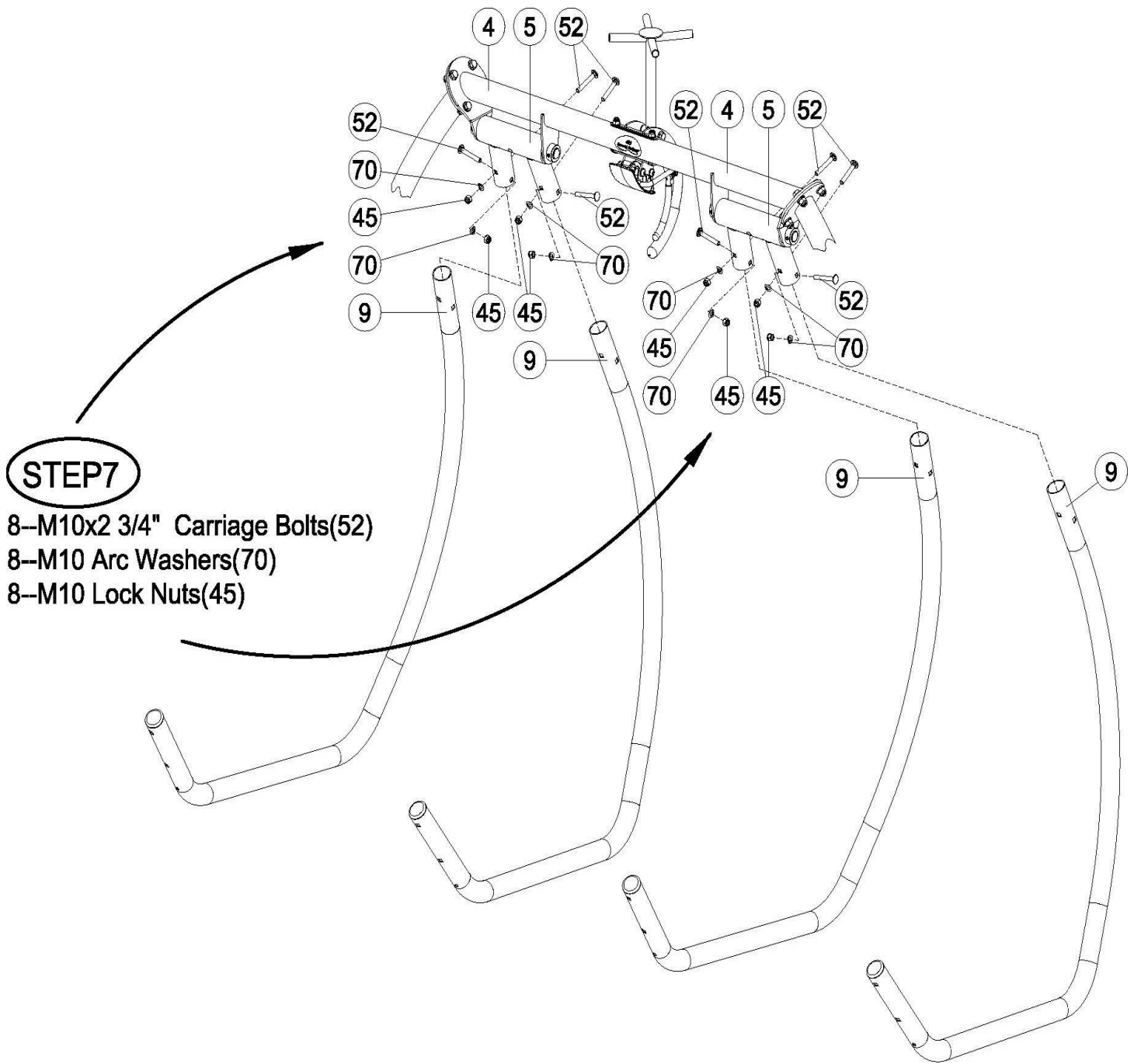
Steps 4 and 5. Attach the Top Beam(#4) to the Right(#3R) and Left(#3L) Uprights. Ensure that the Set Screws that hold the Bearing Shaft to the Top Beam(#4) are facing towards the front of the swing.

Wrench tighten all hardware now



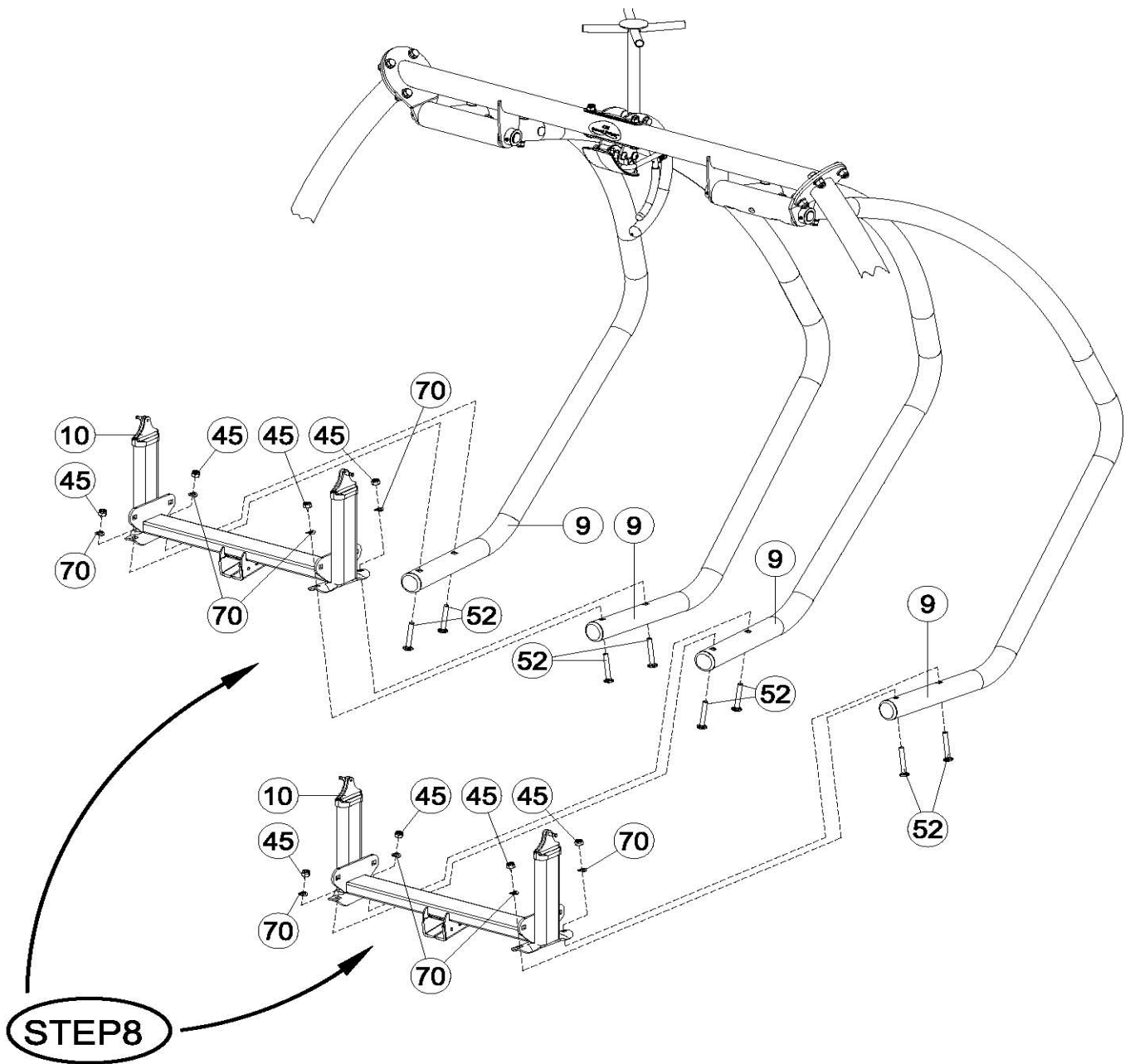
Step 6. Attach the Canopy Mount(#7) to the Top Beam(#4).

Wrench tighten all hardware now.



Step 7. Attach the Swing Support Arms(#9) to the Bearing Housing(#5).

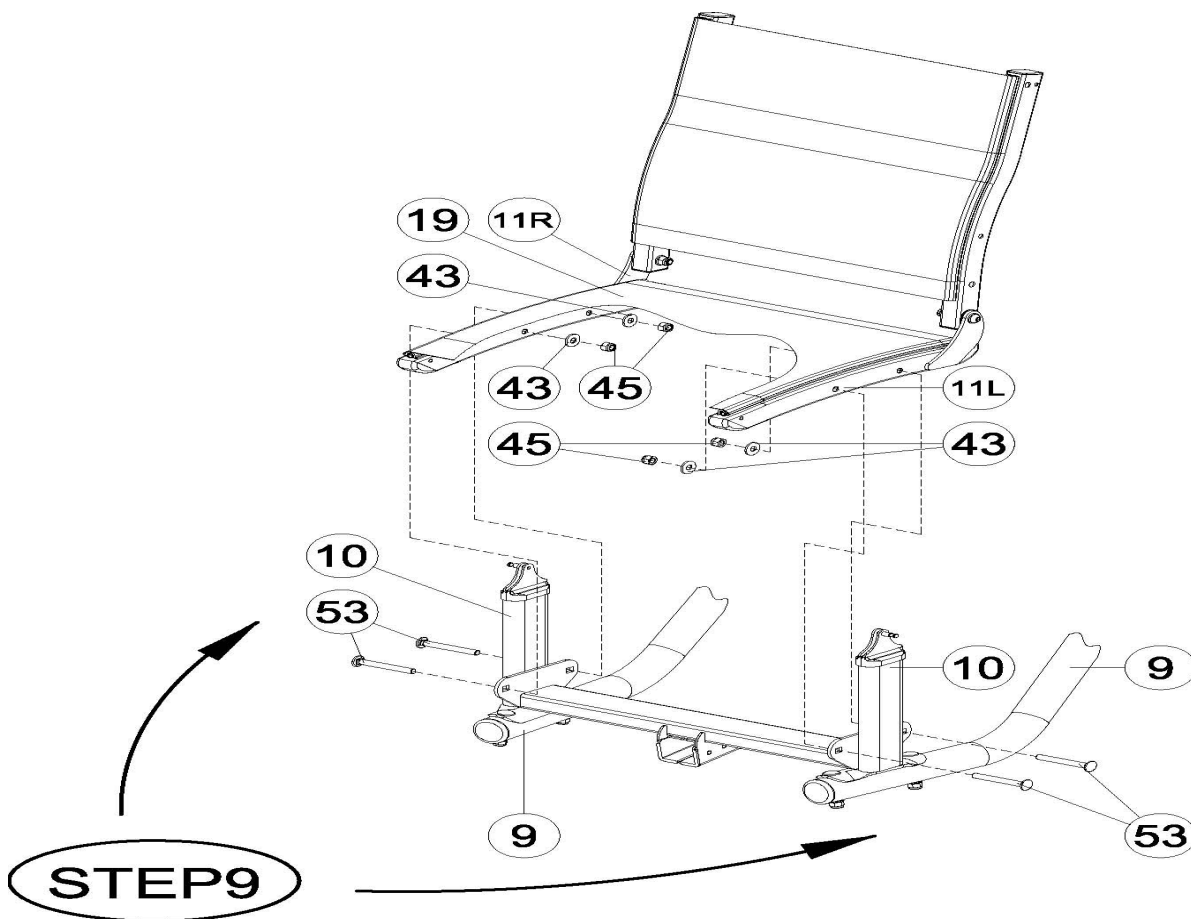
Finger tighten the hardware at this time.



- 8--M10x2 3/4" Carriage Bolts(52)
- 8--M10 Arc Washers(70)
- 8--M10 Lock Nuts(45)

Step 8. Attach the Seat Frame(#10) to the Swing Support Arms(#9).

Tighten all the hardware in Steps 7 and 8 now.



- 8--M10x 2 1/4" Button Head Bolts(53)
- 8--M10 Fender Washers(43)
- 8--M10 Lock Nuts(45)

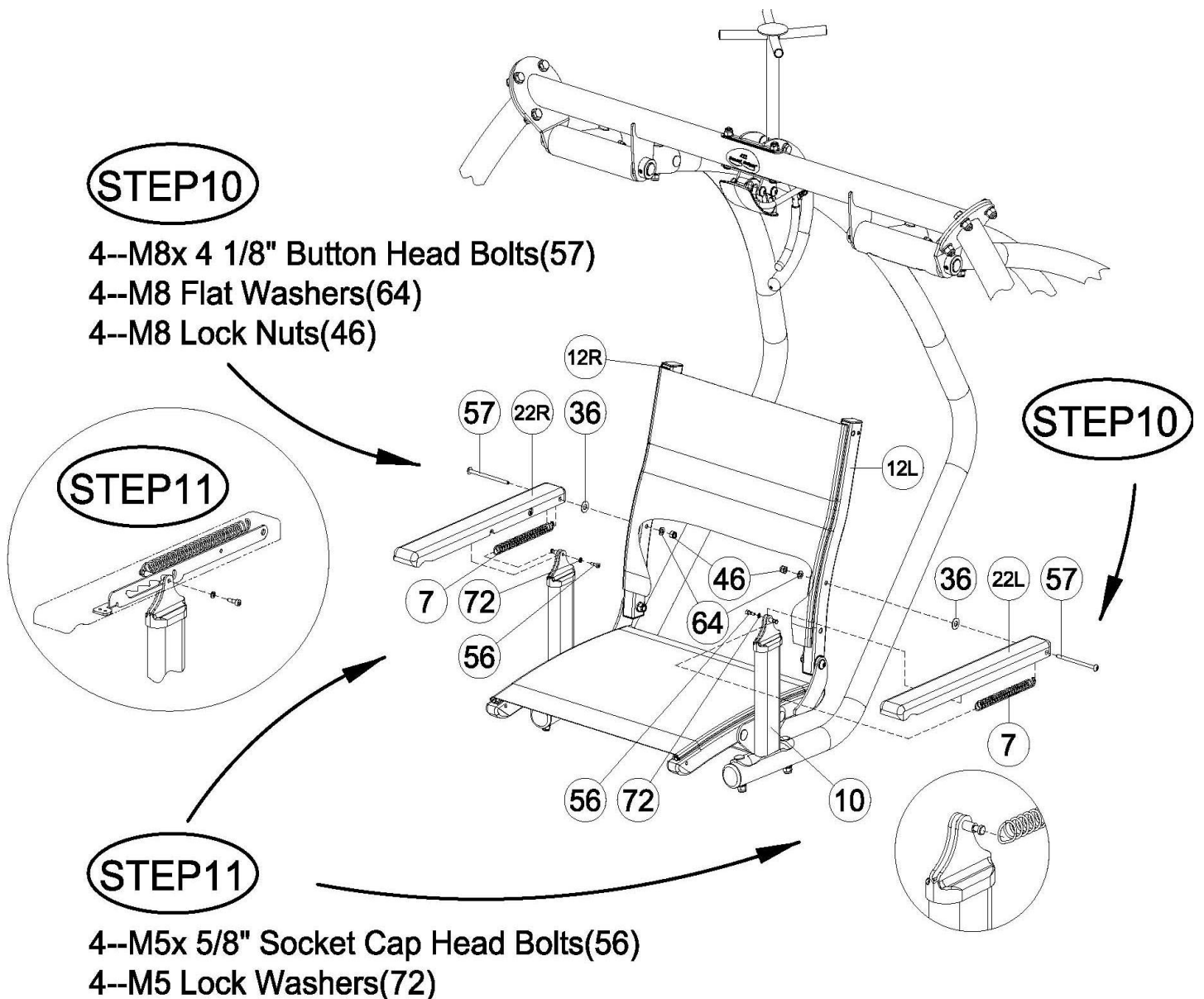
Make sure the fabric has been fully inserted into the groove of the Seat Bottom Tubes before tightening the hardware. The fabric can not be adjusted afterwards.

Step 9. Attach the Left(#11L) and Right(#11R) Seat Bottom Tubes to the Seat Frame(#10). Apply the four nuts to the four 2 1/4 bolts with only 3 to 4 turns before continuing to fully tighten each bolt to stretch the fabric.

This step stretches the fabric. If the hardware on one side of the Seat Bottom Tube is fully tightened to the Seat Frame before the hardware on the other side of the same chair, the other side can not be attached without loosening the first side. After applying all 4 nuts by about three turns each, incrementally tighten all 4 nuts in sequence until the Seat Tubes are fully tightened against the Seat Frame Flanges.

Repeat Step 9 for the other seat.

Wrench tighten all the hardware after getting all 4 nuts started on the bolts.



Step 10. With the metal ratchet mechanism, under each wooden armrest, placed so that it is closest to the Seat Frame Mounting Arm, attach the end of each Left(#22L) and Right(22R) Wood Arm to the Left(#12L) and Right(#12R) Seat Back Tube.

Step 11. Hook the forward end of the Extension Spring to the top of the Seat Frame Mounting Arm as shown in the circle in the lower right area of the picture.

Mount the ratchet mechanism under the Wood Arm to the Seat Frame. Repeat Steps 10 and 11 for the other seat.

Wrench tighten all hardware now but do not over tighten the arms or ratchet which would prevent smooth motion for the seat back adjustment.

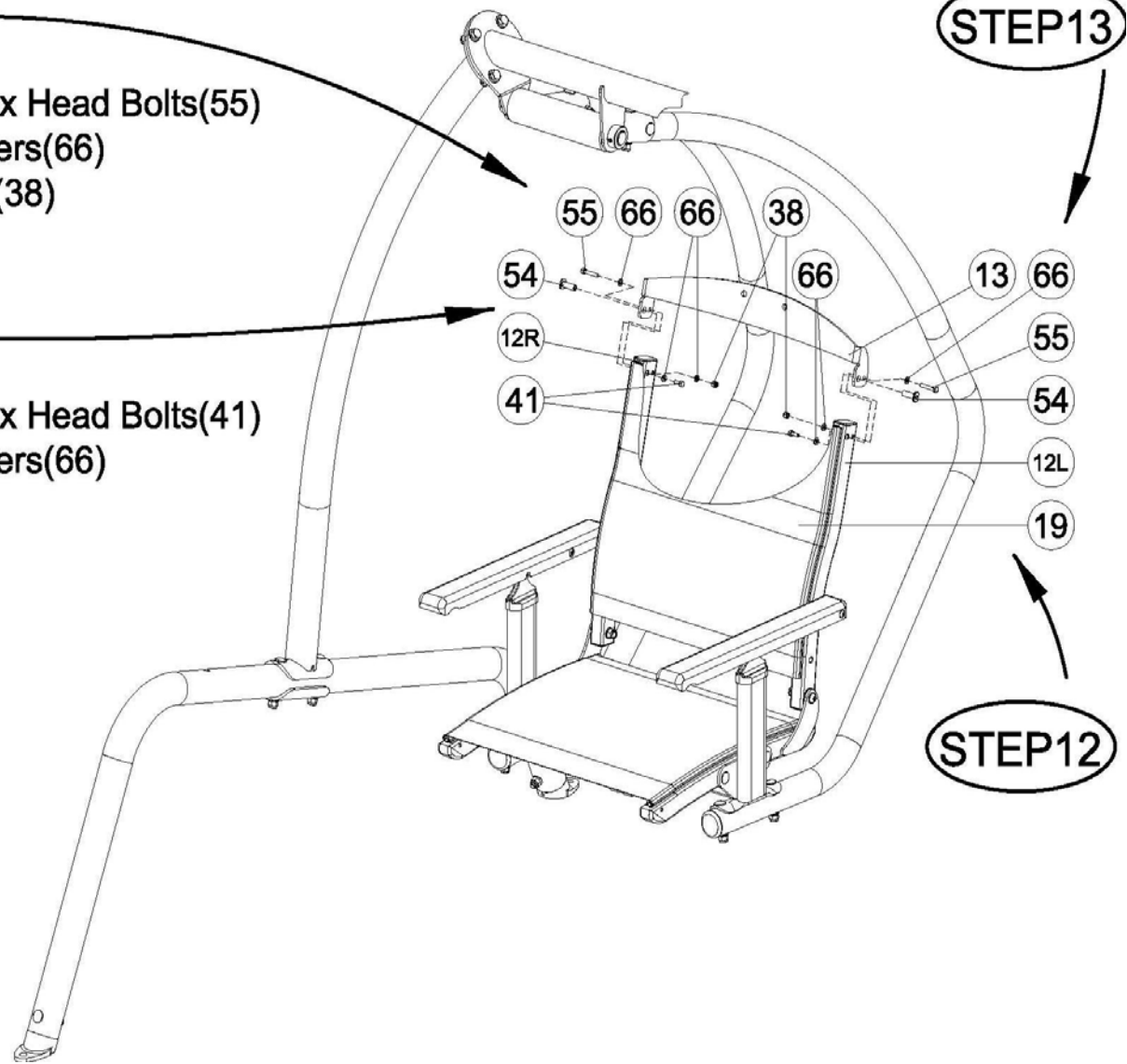
STEP13

- 4--M6x 1 7/8" Hex Head Bolts(55)
- 8--M6 Flat Washers(66)
- 4--M6 Lock Nuts(38)

STEP13

STEP12

- 4--M6x 1 1/8" Hex Head Bolts(41)
- 4--M6 Flat Washers(66)
- 4--M6 T-Nut(54)



Step 12. Attach the metal Head Board Bracket(#13) to the Right(#12R) and Left(#12L) Seat Back Tubes. This step stretches the fabric at the top of the seat back. Start the hardware with just 3 to 4 threads until you get both sides started. Continue to tighten the bolts until you can get the hardware in Step 12 started.

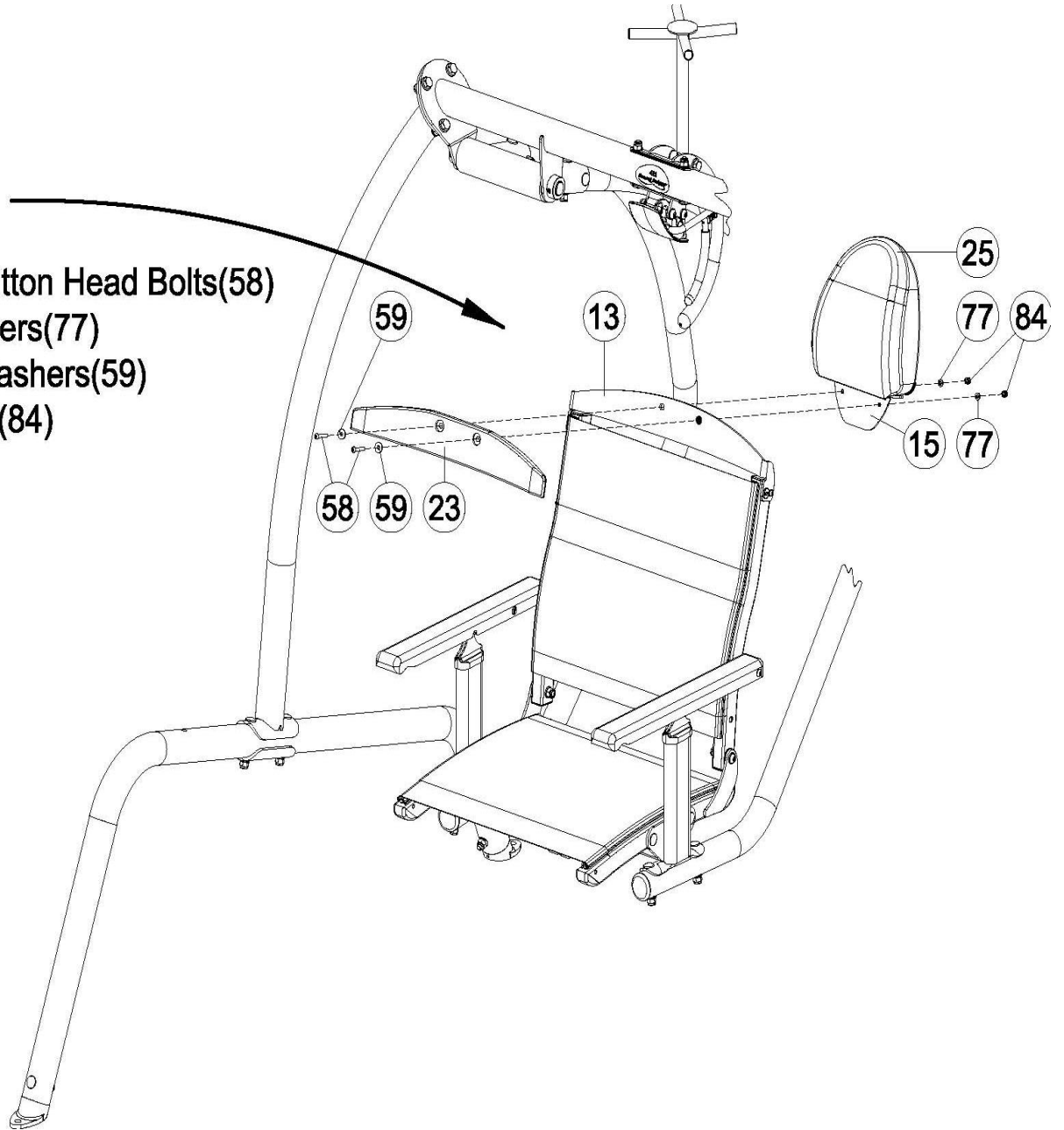
Step 13. Finish attaching the metal Head Board Bracket to the Right and Left Seat Back Tubes.

Repeat Steps 12 and 13 for the other seat.

Wrench tighten all the hardware now.

STEP14

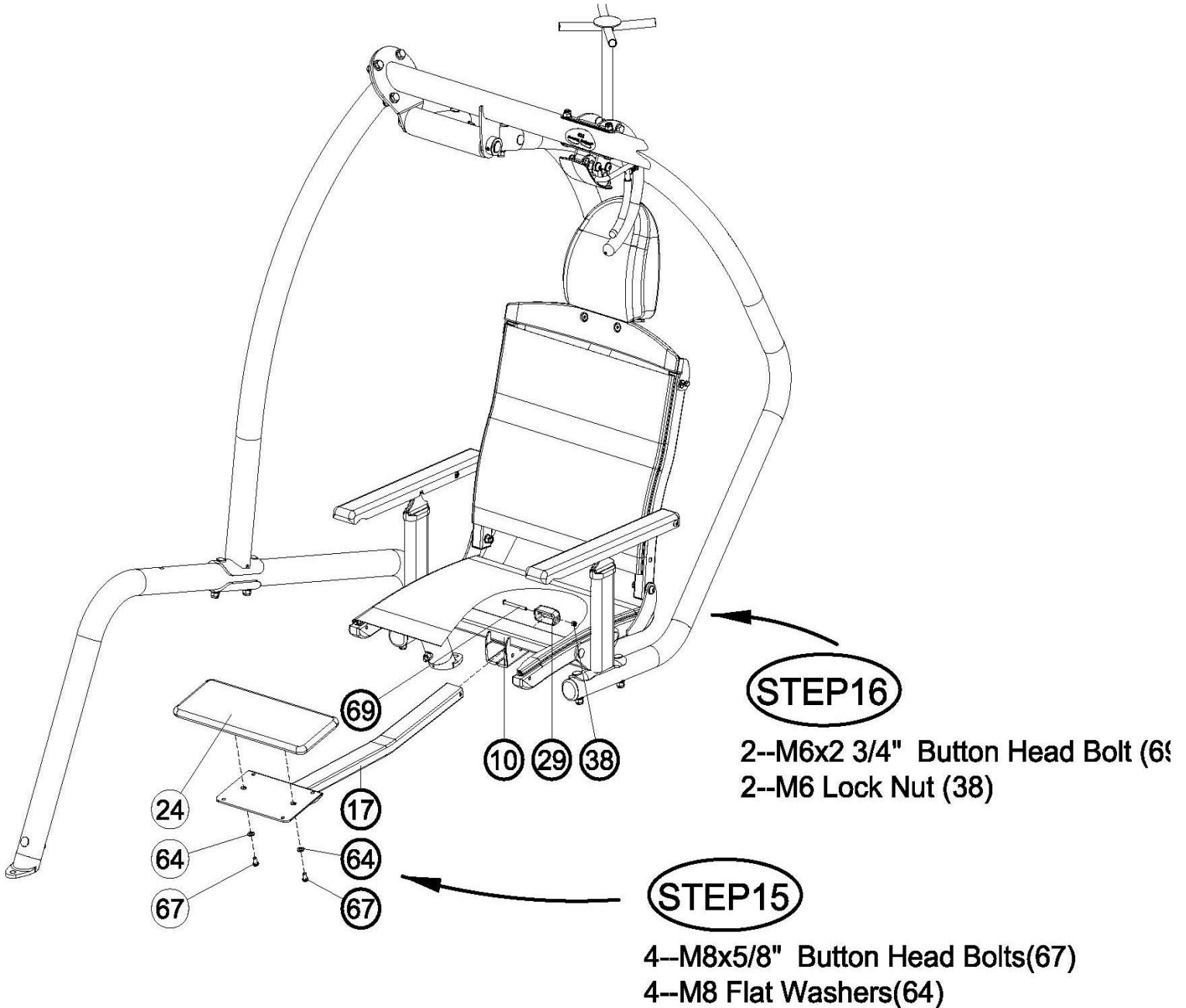
- 4--M6x1 1/2" Button Head Bolts(58)
- 4--M6 Flat Washers(77)
- 4--M6 Fender Washers(59)
- 4--M6 Lock Nuts(84)



Step 14. Attach the Head Board(#23) and Head Rest(#25) to the Head Board Bracket(#13).

Complete Step 14 for the other chair

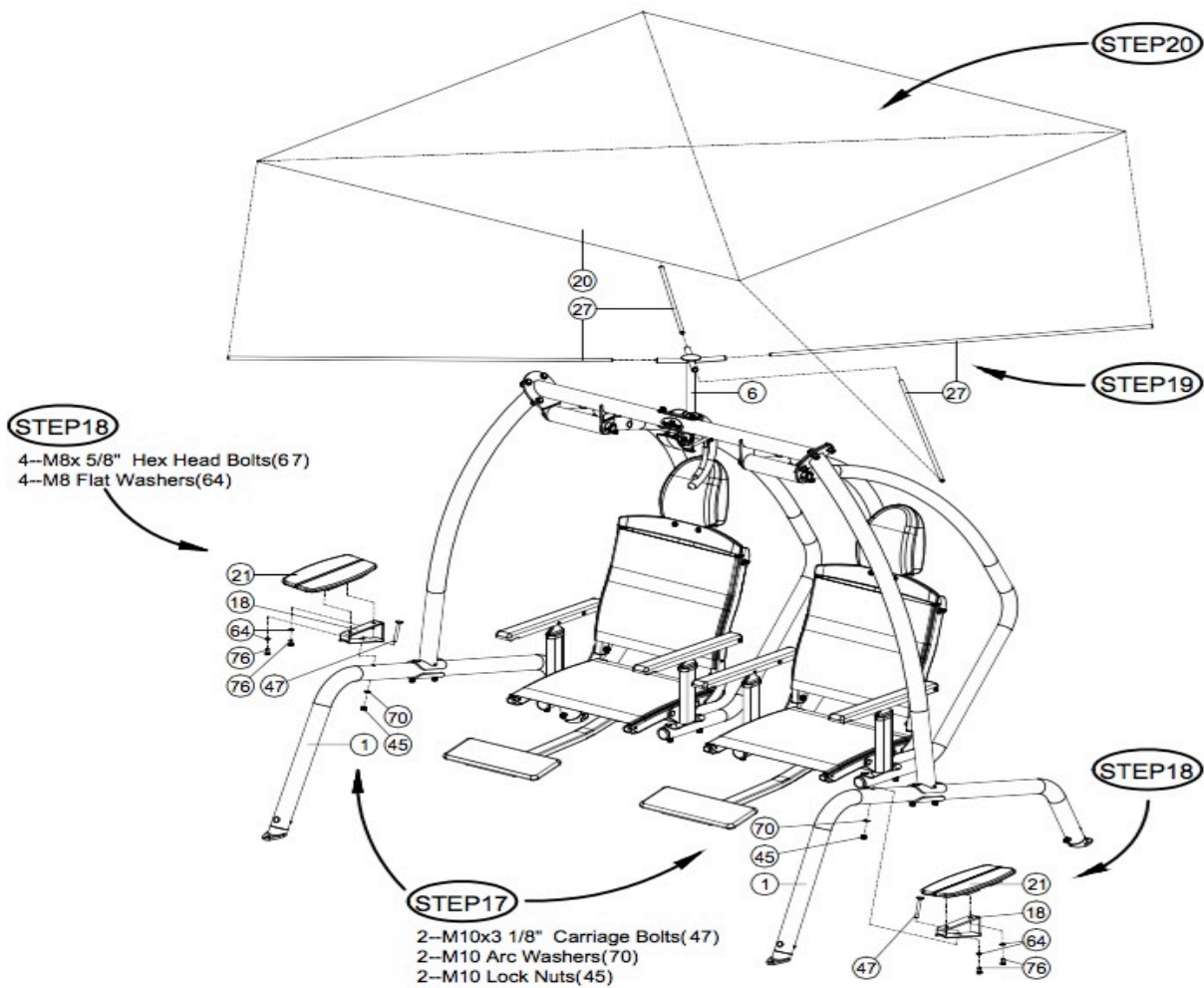
Wrench tighten all the hardware now



Step 15. Attach the Footrest Pad(#24) to the Footrest Frame(#17).Step 16. Attach the Retainer End Bumper(#29) to the back of the Footrest Frame(#17).

Complete Steps 15 and 16 for the other chair

Wrench tighten all the hardware now but do not over tighten or damage will occur the Footrest Pad and the soft rubber Retainer End bumper.



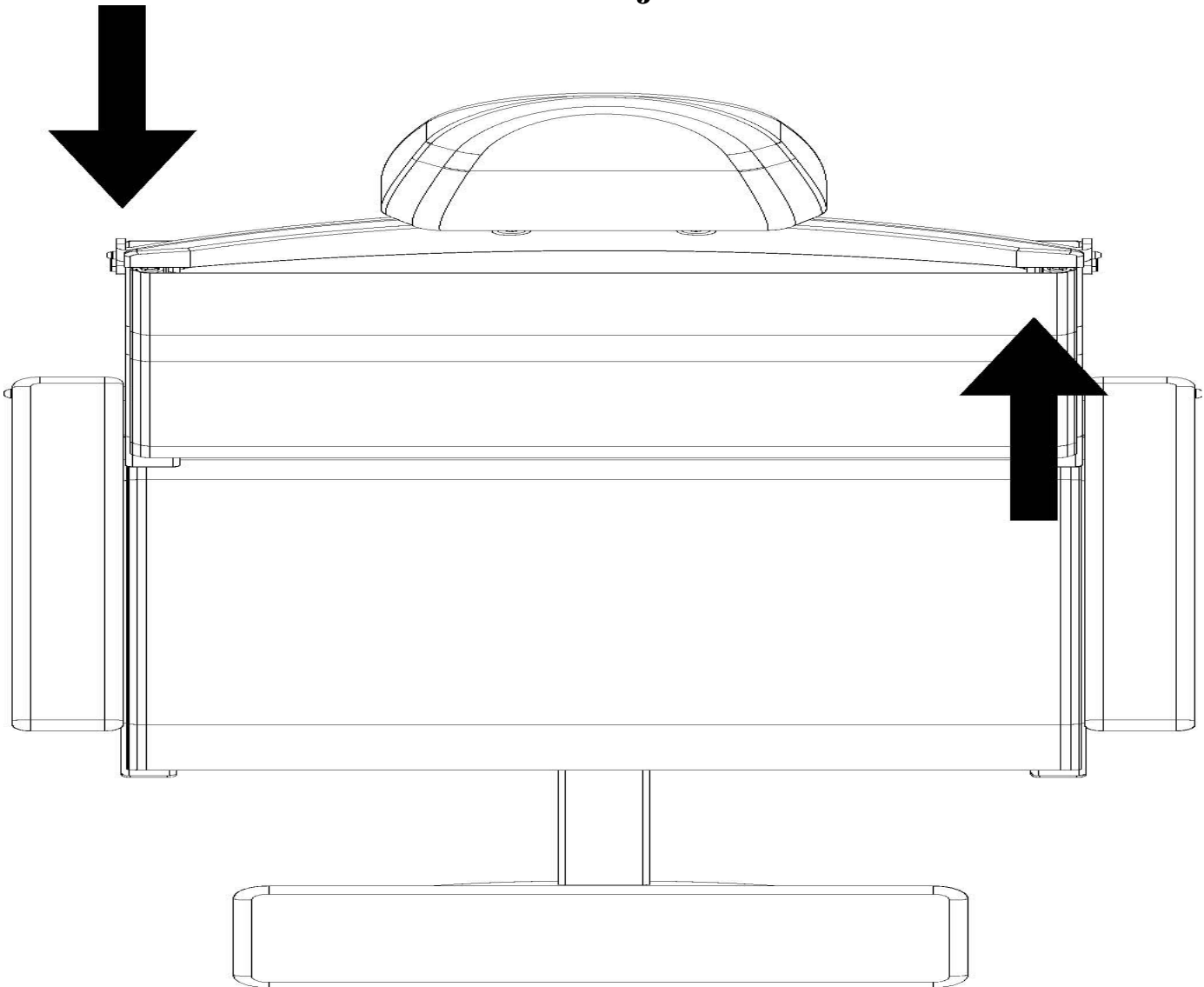
Step 17 and 18. Attach the table Wood Support Brackets(#18) to the Bent Legs(#1) and attach the Wood Table(#21) to the Wood Support Brackets(#18). Tighten the hardware now.

Step 19 Place the Canopy Rods(#27) into the rod holder tubes on the Canopy Support Assembly(#6). They will just sit in the tubes until the Canopy(#20) is put on the swing.

Note: If the canopy is too cold it will not stretch enough to get it over the last canopy rod. Place the canopy in a warm room of the house until it warms up enough to stretch over the last canopy rod.

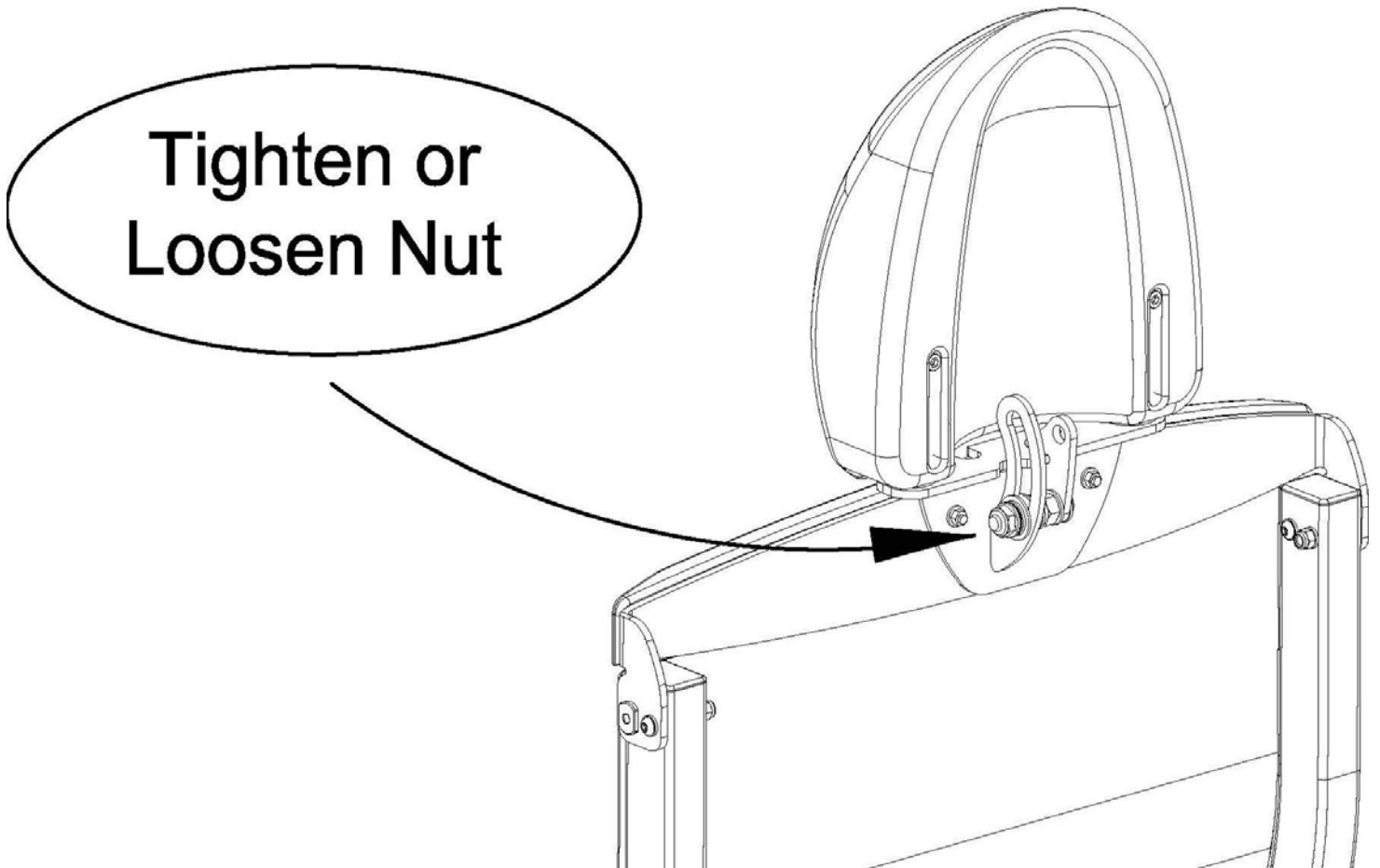
Step 20 The Canopy is a rectangular piece of fabric with pocketed corners. Begin by laying the canopy on top of the Canopy Rods. Then slide one of the pocketed corners of the Canopy onto one of the Canopy rods. Continue around the Canopy until the last corner. Getting the last corner onto the Canopy Rod requires stretching the fabric by pulling the canopy fabric towards the end of the canopy rod and slightly down. Continue stretching the Canopy towards the end of the Canopy Rod until it slides into the corner pocket of the Canopy.

Seatback Adjustment



The seat back may need adjustment to appear even on both sides when looking down from on top or if both armrests are not catching to hold the seat back firmly in place when you lean back in the chair. Looking down from the top of the seat back if one side of the seat back is further back than the other, gently twist the Seat Back Tubes to alter the seat back's natural position until it remains even without any force. Pressure should only be applied in the directions shown above or in their reverse directions. When properly adjusted, the ratchets on both sides of the seats will engage at each position at the same time as the seat back is reclined and raised.

Headrest Adjustment



If the headrest rotates too easily or too hard, adjust the resistance by tightening nut to increase resistance or loosening the nut to decrease the resistance.

422SB Swing Weekly Maintenance

Inspect and familiarize yourself with the safety warnings and other information that is posted on the decals located on the swing or in the owner's manual.

Inspect all fabric areas for tears and fabric seams for loose or damaged threads. Replace immediately if needed.

Inspect all the hardware for proper tightness, Retighten if needed.

Inspect the wood for weather cracking. The wood is a natural product and there might be slight imperfections that are visible. During normal weathering the wood may crack slightly due to changes in moisture. This is a natural occurrence and does not affect the structural integrity of your swing. The wood should be treated every 3 months, or as needed, with a wood preservative. See your local hardware retailer for suggestions for wood preservatives. Failure to protect the wood will void its warranty.

The canopy is not designed for high winds. If high winds are expected remove the canopy. Failure to follow these instructions can cause damage to the canopy or canopy rods and will void the warranty.

In freezing climates the canopy should be removed, folded and stored in a dry place before the first freeze or snow and until the last freeze or snow has passed. Failure to follow these instructions can cause damage to the canopy or canopy rods and will void the warranty.

Safety Information

CAUTION!

This 422SB swing is designed for adult use only

Ensure that the 422SB swing is set up on a firm level surface.

Make sure the 422SB swing has completely stopped before entering or exiting the swing. Be careful as the swing seat may shift while sitting down or getting up from the swing.

The foot rest should be tucked under the seat when entering or exiting the swing.

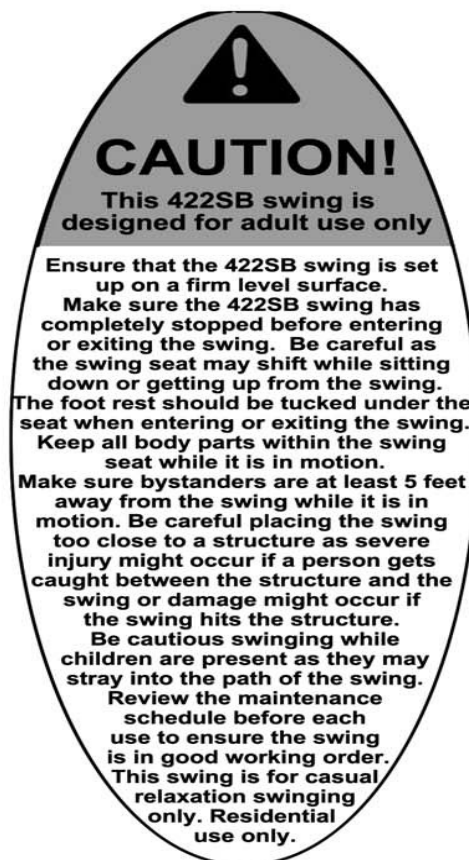
Keep all body parts within the swing seat while it is in motion.

Make sure bystanders are at least 5 feet away from the swing while it is in motion. Be careful placing the swing too close to a structure as severe injury might occur if a person gets caught between the structure and the swing or damage might occur if the swing hits the structure.

Be cautious swinging while children are present as they may stray into the path of the swing.

Review the maintenance schedule before each use to ensure the swing is in good working order.

**This swing is for casual relaxation swinging only.
Residential use only.**



Sunset Swings®

By Health In Motion LLC

LIMITED TEN YEAR WARRANTY

Sunset Swings® warrants this product to the original purchaser to be free from defects in workmanship and/or materials under normal use. If, during the warranty period, a component part is defective, *Sunset Swings®* shall repair or replace it (at *Sunset Swings®* option) within a reasonable period of time. This warranty does not cover costs of removal, transportation or reinstallation. This warranty shall not apply if damage is caused by misuse, improper maintenance or assembly, neglect or normal wear and tear. Starting from the original date of purchase, normal wear and tear shall be considered as the following: All failures of the rubber, fabric and wood that occur after 2 years, all failures of bearings, bushings, hardware or powder coated frame that occur after ten years. If the swing is located within 2000 feet of a salt water shore/waterway or 10 feet of a pool, warranties may be void. *Sunset Swings®* sole responsibility shall be to repair or replace the component within the terms stated above. *Sunset Swings®* shall not be liable for any loss or damage of any kind including any incidental or consequential damages resulting, directly or indirectly from any warranty expressed or implied or any other failure of this product.

WHAT IS NOT COVERED BY THIS WARRANTY

Sunset Swings® sole obligation under this warranty is limited to either repair or replacement of parts, subject to the additions below. This warranty neither assumes nor authorizes any person to assume obligations other than expressly covered by this warranty.

NO CONSEQUENTIAL DAMAGES. *Sunset Swings®* is not responsible for economic loss; profit loss; or special, indirect, or consequential damages.

WARRANTY IS NOT TRANSFERABLE. This warranty is not assignable and applies only in favor of the original purchaser/user to whom delivered. Any such assignment or transfer shall void the warranties herein made and shall void all warranties, express, implied or statutory. There are no warranties which extend beyond the description on the face hereof.

ALTERATION, NEGLIGENCE, ABUSE, MISUSE, NORMAL WEAR AND TEAR, ACCIDENT, DAMAGE DURING TRANSIT OR INSTALLATION, FIRE, FLOOD, ACTS OF GOD. *Sunset Swings®* is not responsible for the repair or replacement of any parts that *Sunset Swings®* determines have been subjected after the date of manufacture to alteration, neglect, abuse, misuse, normal wear and tear, accident, damage during transit or installation, fire, flood, or an ACT OF GOD.

TRANSPORTATION COSTS. *Sunset Swings®* will accept parts covered under this warranty freight collect, provided that shipment has received prior approval. *Sunset Swings®* is not responsible for any other transportation costs, but will ship freight collect parts either repaired or replaced under these warranties.

WARRANTY VALIDATION AND CLAIM PROCEDURE. To validate your warranty please complete the enclosed customer warranty registration card or go to www.sunsetswings.com and complete the online warranty registration.

All claims should include: model number, the serial number, proof of purchase, date of installation, and all pertinent information supporting the existence of the alleged defect. In some cases photos may be required to support the claim. Please call for pre-approval of shipment of warranty parts.

Sunset Swings®

Health In Motion LLC
255 Airport Cir, Suite 101
Corona, CA 92880
(877) 738-1729
(714) 738-1728 fax