

Sunset Swings®

By Health In Motion, LLC

Model 422L

*Dual Lounge Swing
Assembly & Operation Manual*



Record Serial Number Here

www.sunsetswings.com

September 2018

Caution:

READ! VERY IMPORTANT FOR ADULTS ONLY

Ensure that the 422L swing is set up on a firm level surface.

Make sure the swing has completely stopped before entering or exiting the swing. Be careful as the swing may shift while sitting down or getting up from the swing.

Keep all body parts within the swing seat while in motion.

Make sure bystanders are at least 5 feet away from the swing while it is in motion. Be careful placing the swing too close to a structure as severe injury might occur if a person gets caught between the structure and the swing or damage might occur if the swing hits the structure.

Be cautious swinging while children are present as they may stray into the path of the swing.

Review the maintenance schedule before each use to ensure the swing is in good working order.

This swing is for casual relaxation swinging only.

In freezing climates, the canopy should be removed, folded and stored in a dry place before the first freeze or snow and until the last freeze or snow has passed. Failure to follow these instructions can cause damage to the canopy or canopy rods and will void the warranty.

The canopy is not designed for high winds. If high winds are expected, please remove the canopy. Failure to follow this instruction can cause damage to the canopy or the canopy rods and will void the warranty.

The swing uses a natural hardwood which might contain slight imperfections.

Thank you for choosing Sunset Swings®. Please read the contents of this manual thoroughly.

The information inside will help you in many different areas. You will need to send in your customer registration card at the back of this manual to validate your warranty. You may also complete your customer registration at www.sunsetswings.com.

Table of Contents

Positioning Your Swing_____	3
Tools Required For Assembly_____	3
Helpful Installation Hints_____	3
Exploded Swing Diagram_____	4
Tool and Hardware Diagram_____	5
Parts List_____	6
Assembly Instructions_____	7-12
Weekly Maintenance Information_____	13
Safety Information_____	14
Label Reference_____	15
Limited Warranty_____	16
Warranty Claim Procedure_____	16

Sunset Swings® by Health In Motion LLC reserves the right to alter the specifications of this product at any time.

Positioning Your Swing

1. **The swing is designed to be installed on a firm level surface.**
2. **There should be a minimum clearance of five feet in front and back, and two feet on each side of your swing. It should be placed in an area where children will not stray or walk into the path of the swing.**
3. **Be careful placing the swing too close to a structure as severe injury might occur if someone gets caught between the structure and the swing or damage might occur if the swing hits the structure.**

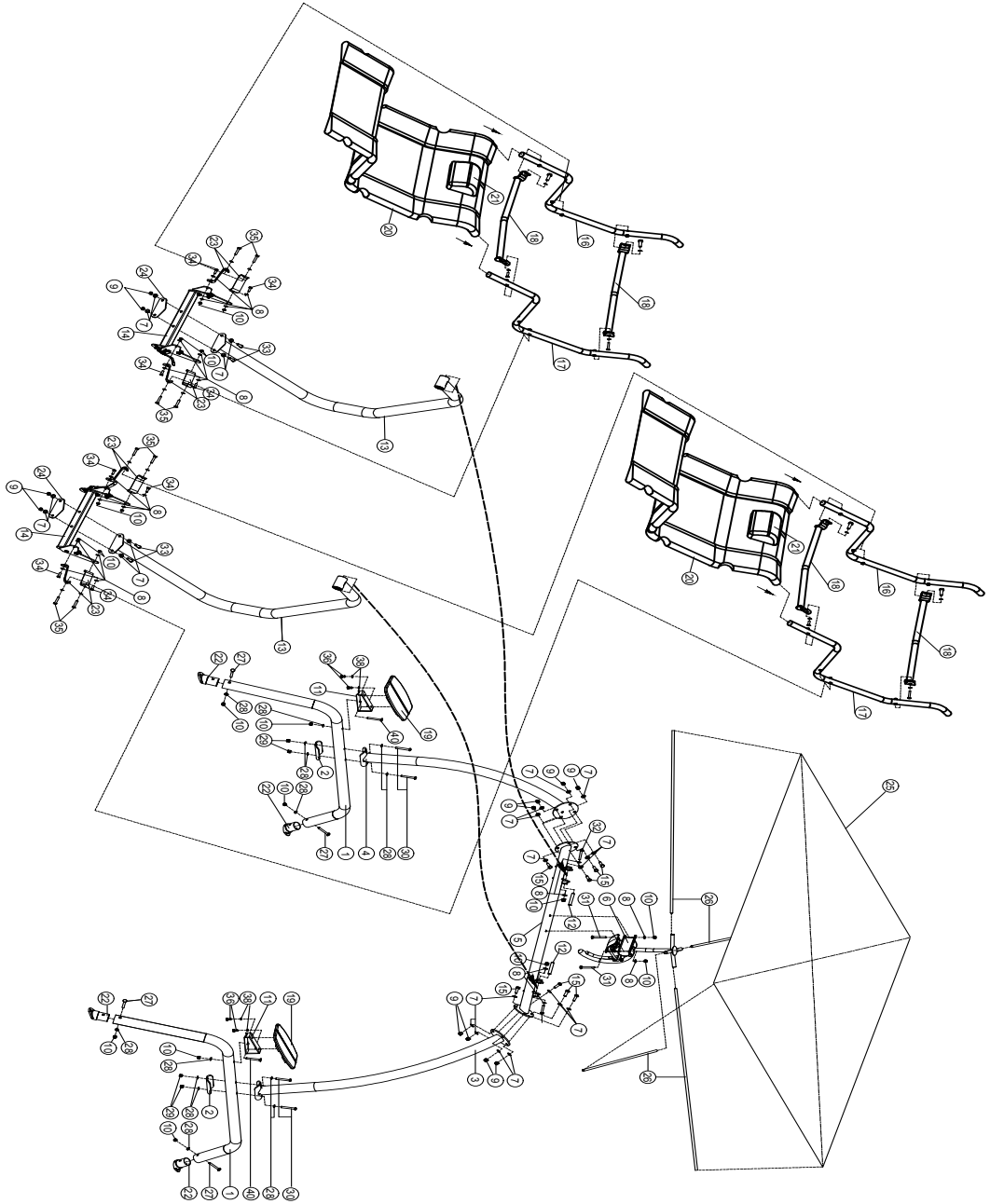
Tools required for assembly

1. 10, 14, 17 and 19 mm box or ratchet wrench
2. 4, 5 and 6 mm Allen wrenches (supplied with the hardware)

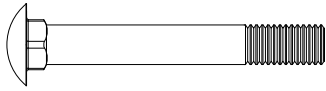
Helpful installation hints

1. **At least 2 people are required to assemble this swing. Some parts are large and heavy. Use care when handling.**
2. Identify all of the parts for your swing. Empty the boxes and lay out the parts for identification using the Parts List.
3. Read all the way through the instructions completely before beginning the assembly.
4. Do not tighten hardware completely until instructed. It helps to have some adjustment for bolt alignment while you are connecting parts. Follow the tightening sequence as mentioned in the steps. **After you have completed the assembly, recheck that all hardware is secure and tight.**

EXPLODED DIAGRAM



TOOL AND HARDWARE DIAGRAM



4--M10x75 Carriage Bolt



18--M10 Lock Nut



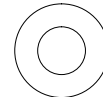
30--M10 Arc Washer



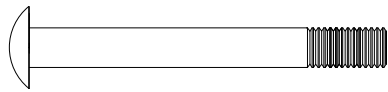
8--M12x33 Hex Head Bolt



4--M10 Thick Lock Nut



24--M12 Flat Washer



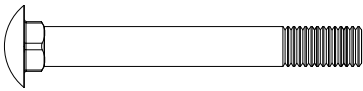
4--M10x90 Button Head Bolt



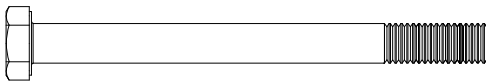
12--M12 Lock Nut



22--M10 Flat Washer



2--M10x85 Carriage Bolt



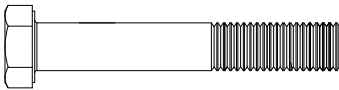
2--M10x115 Hex Bolt



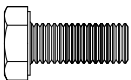
4--M8 Flat Washer



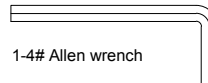
4--M8 Fender Washer



4--M12x75 Hex Bolt



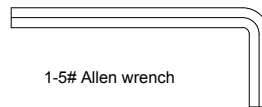
8--M10x25 Hex Bolt



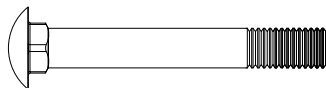
1-4# Allen wrench



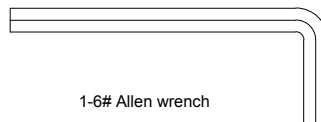
16--M10x45 Hex Bolt



1-5# Allen wrench



2--M10x80 Carriage Bolt



1-6# Allen wrench



4--M8x16 Hex Head Bolt

422L PARTS LIST

NO#	Item#	Description		QTY
1	GM750-101-001	Bent Leg		2
2	GM750-201-003	Curved Flange		2
3	GM750-200-001	Left Upright Assembly		1
4	GM750-200-002	Right Upright Assembly		1
5	GM780-240-001	Top Beam Assembly		1
6	GM780-320-001PZ	Adjustable Canopy Support Assembly		1
7	0116-012-003	M12 Flat Washer	M12	24
8	0116-010-003	M10 Flat Washer	M10	22
9	0110-712-003	M12 Lock Nut	M12	12
10	0110-710-003	M10 Lock Nut	M10	18
11	GM750-380-001	Wood Support Bracket		2
12	GM780-561-008	Pivot Shaft		2
13	GM780-300-001	Swing Support Arm		2
14	GM780-400-001PZ	Seat Frame		2
15	0111-212-333	M12*33 Hex Head Bolt	M12*33	8
16	GM780-400-004	Right Bent Seat Tube		2
17	GM780-400-003	Left Bent Seat Tube		2
18	GM780-400-005	Separator Mount		4
19	GM760-400-001	Wood Table		2
20	GM780-400-006	Seat Fabric		2
21	GM780-400-007	Pillow		2
22	GM750-881-001UV	Swing Foot		4
23	GM780-401-009	Seat Mount Bracket		8
24	GM780-401-001	Seat Frame Connecting Plate		2
25	GM710-400-003	Canopy		1
26	GM710-801-001	Canopy Rod		4
27	0111-410-753	M10*75 Carriage Bolt	M10*75	4
28	0116-610-003	M10 Arc Washer	M10	30
29	0110-710-003A	M10 Thick Lock Nut	M10	4
30	0113-210-903	M10*90 Button Head Bolt	M10*90	4
31	0111-410-853	M10*85 Carriage Bolt	M10*85	2
32	0111-010-053	M10*115 Hex Head Bolt	M10*115	2
33	0111-012-753	M12*75 Hex Head Bolt	M12*75	4
34	0111-010-253	M10*25 Hex Head Bolt	M10*25	8
35	0111-010-453	M10*45 Hex Head Bolt	M10*45	16
36	0113-208-163	M8*16 Hex Head Bolt	M8*16	4
37	0511-604-01	4mm Allen Wrench	4#	1
38	0116-008-003	M8 Flat Washer	M8	8
39	0110-708-003	M8 Lock Nut	M8	4
40	0111-410-083	M10*80 Carriage Bolt	M10*80	2
41	0511-606-03	6mm Allen Wrench	6#	1
42	0511-605-002	5mm Allen Wrench	5#	1

STEP1-STEP6

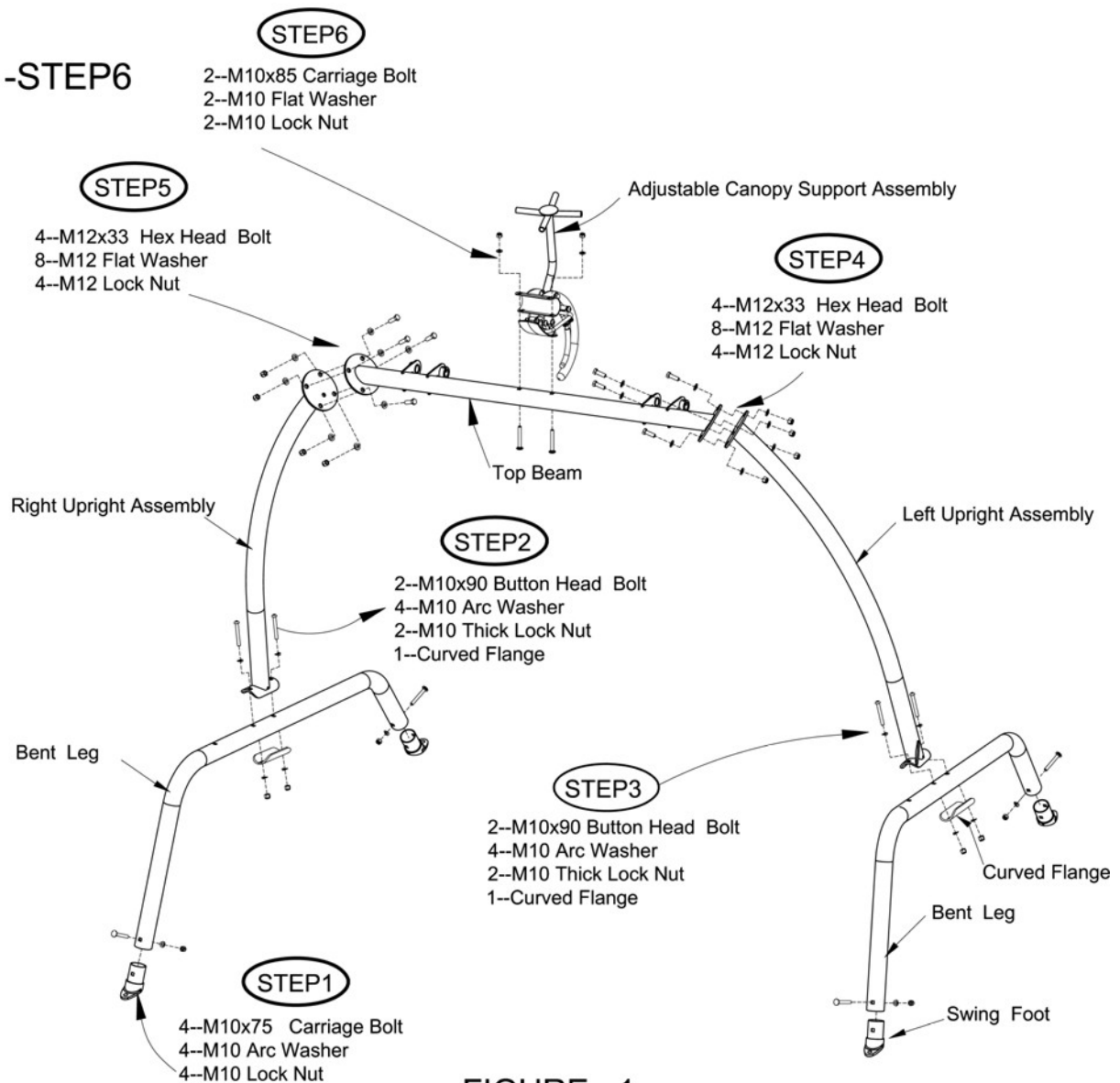


FIGURE 1

Two people are required for STEPS 1 through 6

STEP 1: Add 2 SWING FEET to each BENT LEG

STEPS 2 and 3: Attach the BENT LEGS to the RIGHT and LEFT UPRIGHT ASSEMBLIES

STEPS 4 and 5: Attach the TOP BEAM to the RIGHT and LEFT UPRIGHT ASSEMBLIES. Ensure that the swing mounting flanges on the TOP BEAM are facing to the back of the unit.

STEP 6: Attach the ADJUSTABLE CANOPY SUPPORT ASSEMBLY to the TOP BEAM.

WRENCH TIGHTEN ALL HARDWARE NOW

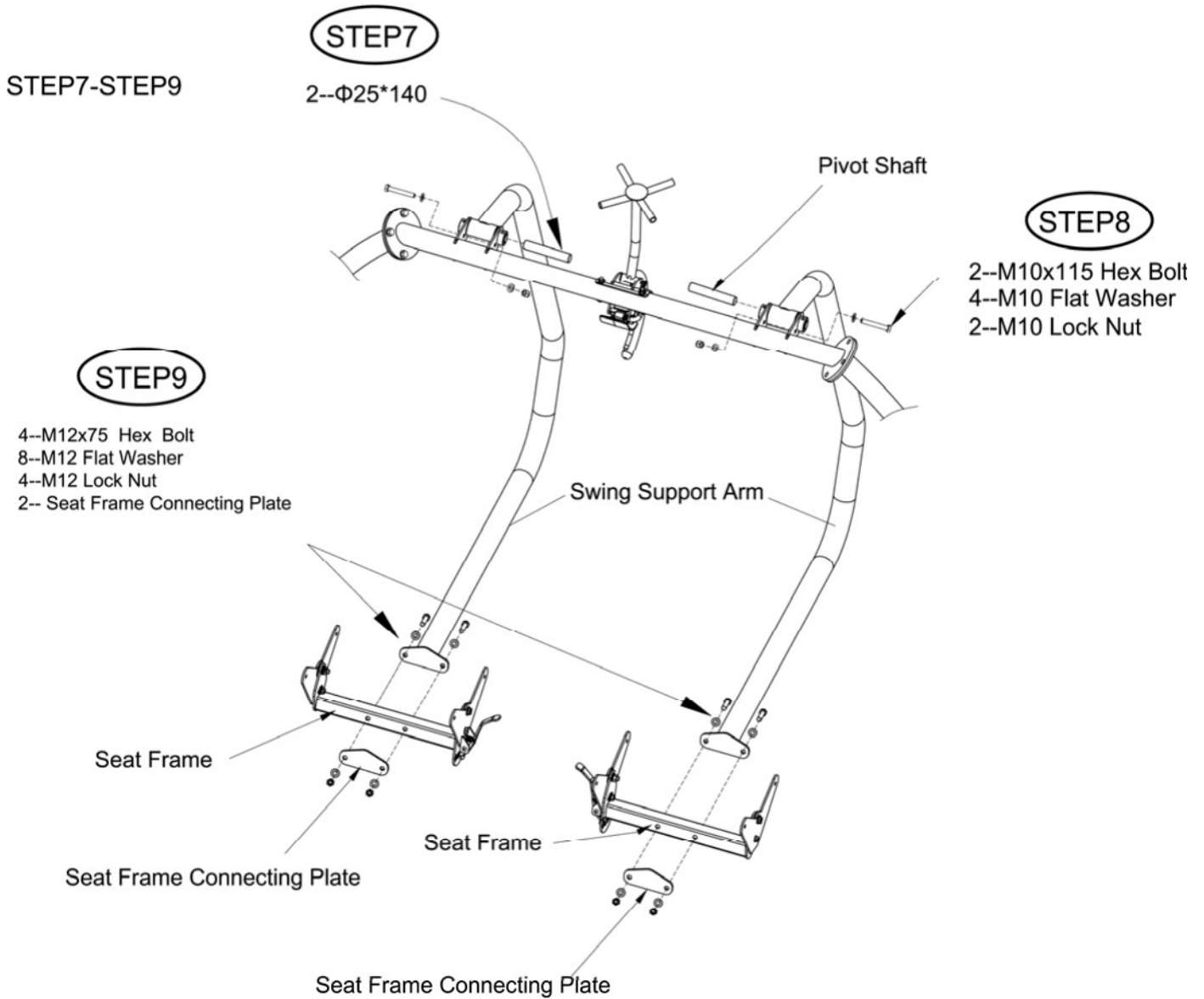


FIGURE 2

STEP 7: Insert the PIVOT SHAFT through the TOP BEAM flanges and through the SWING SUPPORT ARM bearing (Repeat for both right and left sides). DO NOT tighten the TOP BEAM set screws at this time.

STEP 8: Insert the M10x115 bolt and hardware through the flanges on the TOP BEAM. Tighten the hardware now. Repeat for both sides. Now tighten the set screws to secure the PIVOT SHAFT.

STEP 9: Assemble the SEAT FRAME ASSEMBLIES so that the adjustment handle is facing to the inside of the unit.

STEP10

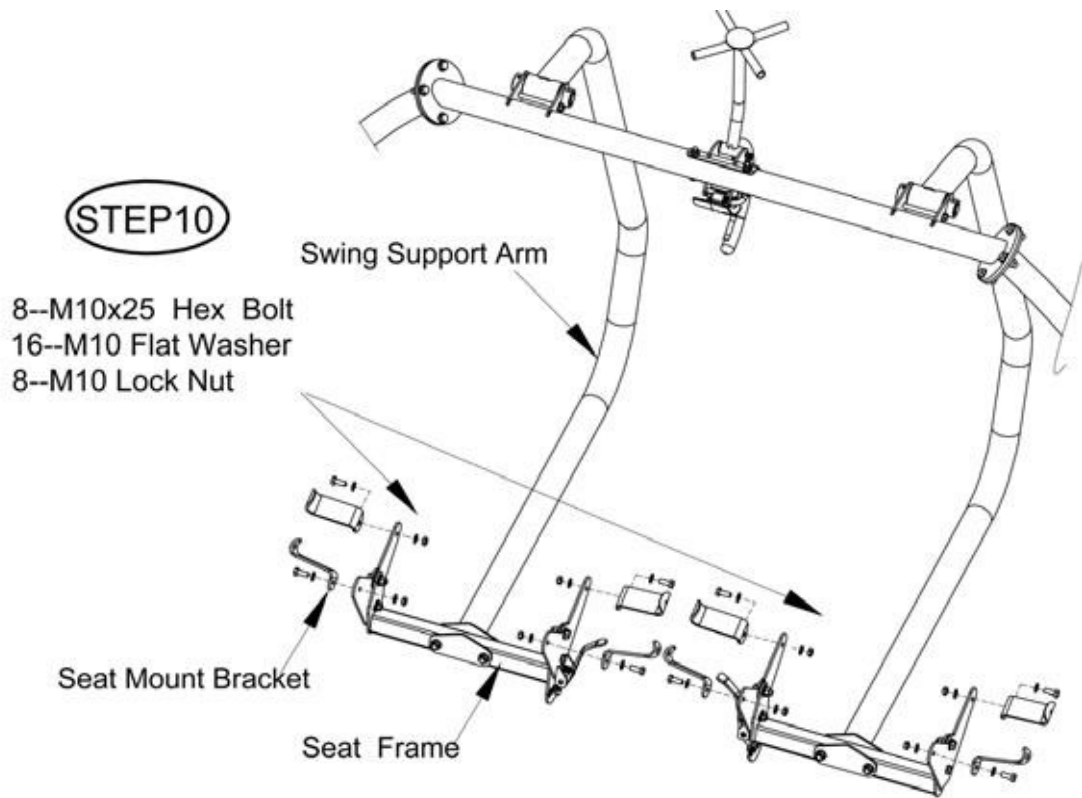


FIGURE 3

STEP 10: Assemble the SEAT FRAME MOUNTING BRACKETS onto both SEAT FRAME ASSEMBLIES
DO NOT TIGHTEN ANY HARDWARE

STEP11-STEP12

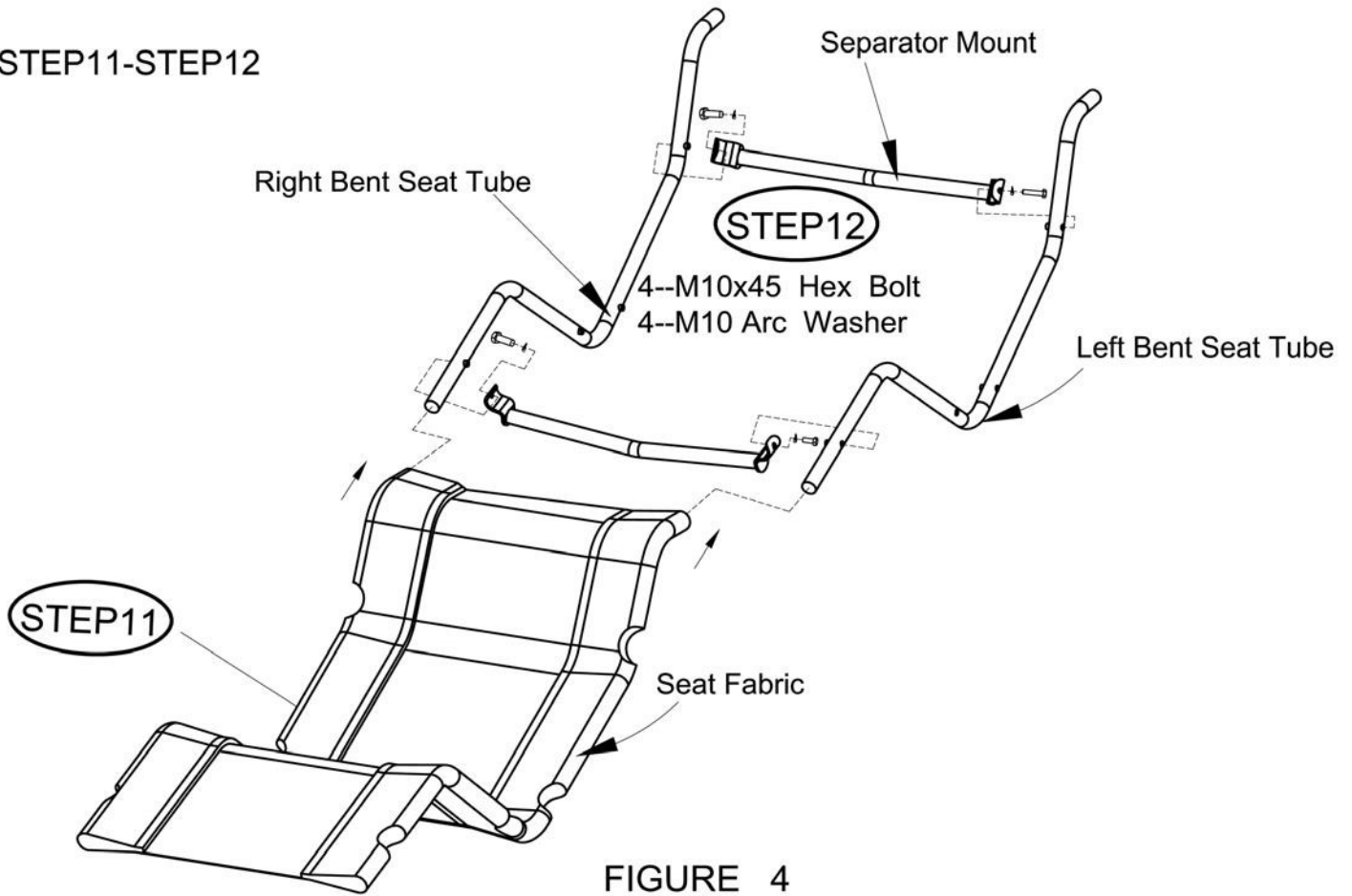


FIGURE 4

STEP 11: Be sure the Velcro side of the SEAT FABRIC is facing down. Slide the SEAT FABRIC up from the bottom of the LEFT AND RIGHT BENT SEAT TUBES so it is oriented as shown.

STEP 12: Attach the SEPARATOR MOUNT to the upper and lower threaded portions of the LEFT AND RIGHT BENT SEAT TUBES. Tighten the bolts only until the fabric is taut.

Repeat STEPS 11 AND 12 for the other SEAT ASSEMBLY

STEP13-STEP14

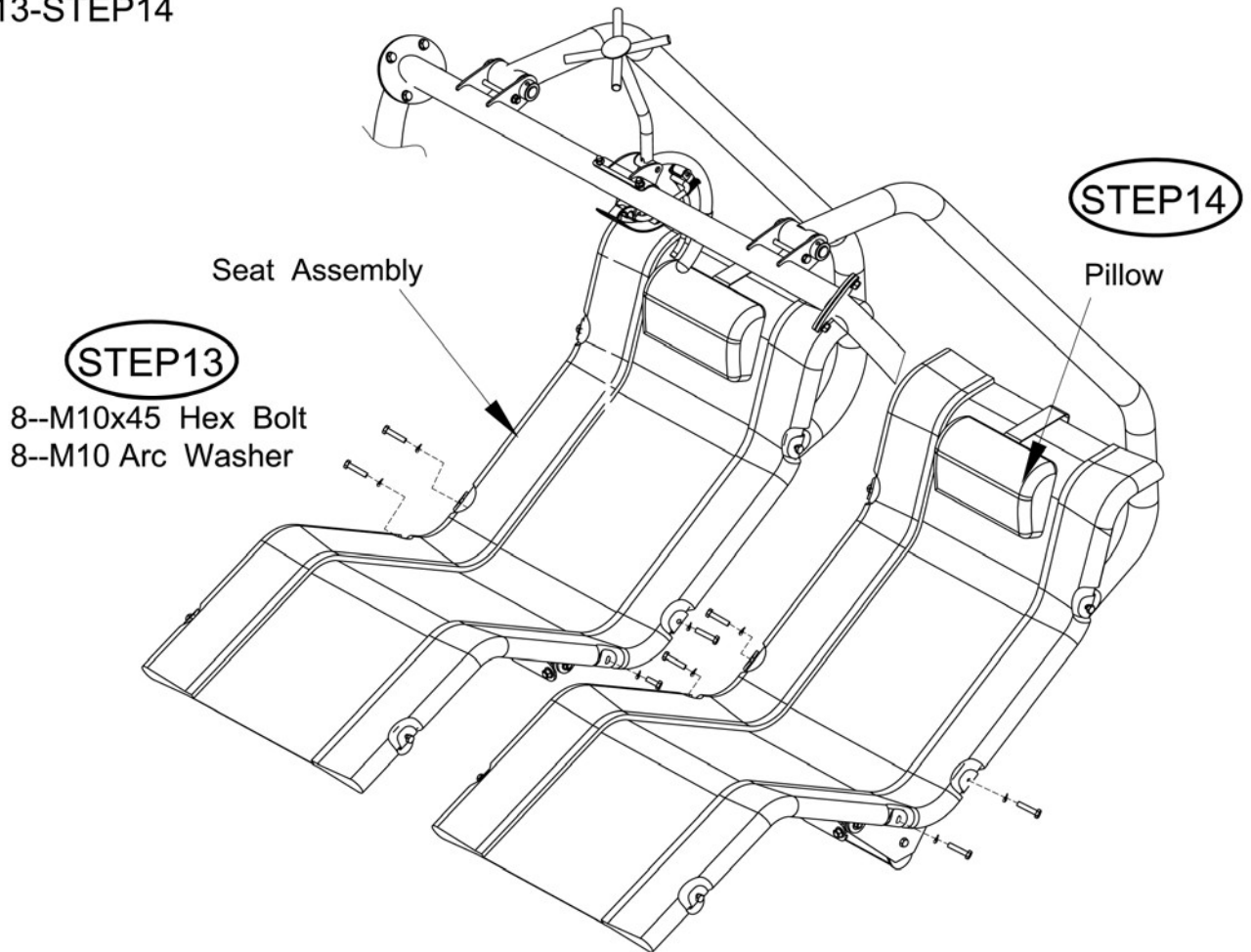


FIGURE 5

STEP 13: Attach the SEAT ASSEMBLY to the SEAT FRAME ASSEMBLY at the 4 middle threaded locations on the SEAT ASSEMBLY BEND SEAT TUBES.

Repeat STEP 13 for both SEAT ASSEMBLIES

TIGHTEN ALL HARDWARE FROM STEP 10

STEP 14: Attach the PILLOW to both SEAT ASSEMBLIES by wrapping the Velcro strap around the backside of the seat. The pillow height may be adjusted by moving adjusting the position of the Velcro strap.

STEP15-STEP18

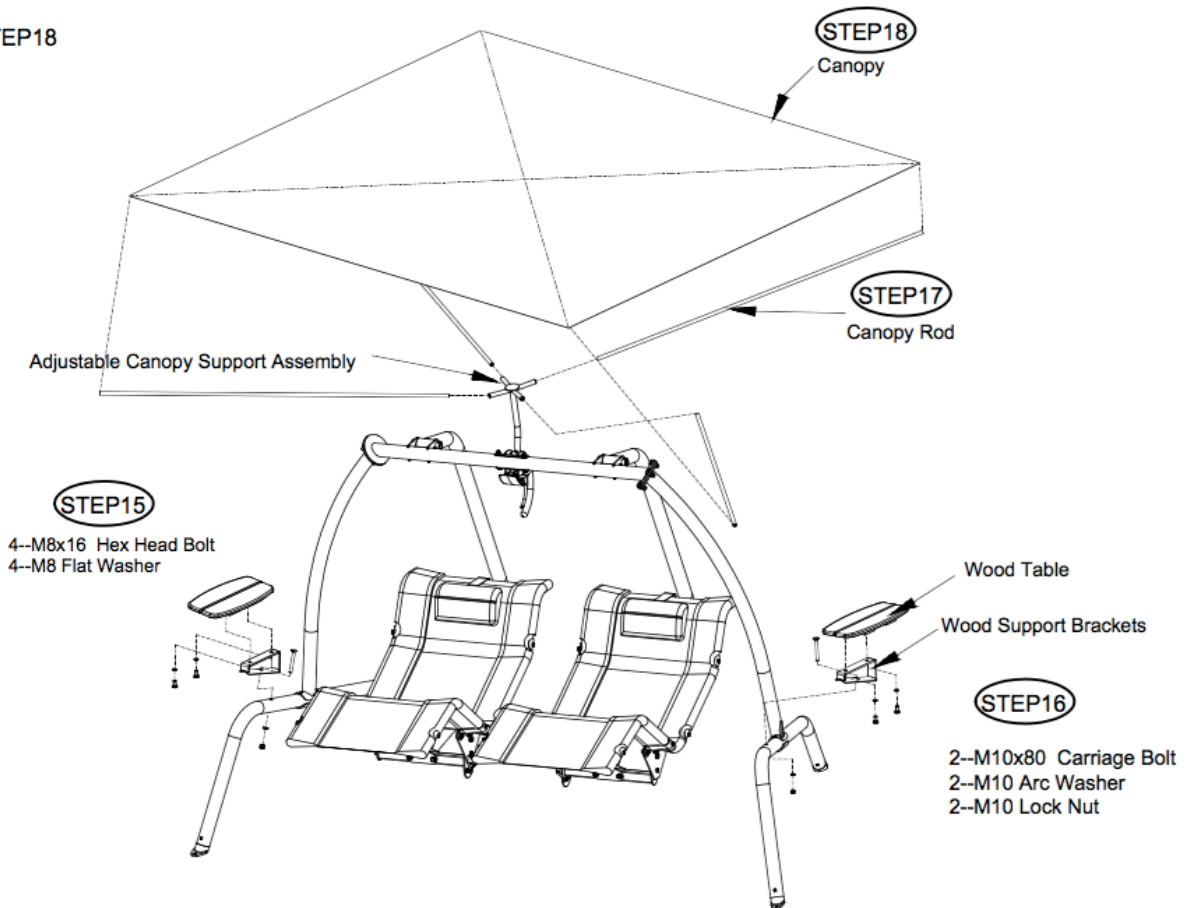


FIGURE 6

STEP 15 and 16: Attach the table WOOD SUPPORT BRACKETS to the BENT LEGS and attach the WOOD TABLE to the WOOD SUPPORT BRACKETS. Tighten the hardware now.

STEP 17: Place the CANOPY RODS into the ADJUSTABLE CANOPY SUPPORT ASSEMBLY. They will just sit in the tubes until the CANOPY is put on the swing.

NOTE: If the CANOPY is too cold it will not stretch enough to get it over the last CANOPY ROD. Place the CANOPY in a warm room until it warms up enough to stretch over the last CANOPY ROD.

STEP 18: The CANOPY is a rectangular piece of fabric with pocketed corners. Begin by laying the CANOPY on top of the CANOPY RODS. Then slide one of the pocketed corners of the CANOPY onto one of the CANOPY RODS. Continue around the CANOPY until the last corner. Getting the last corner onto the CANOPY ROD requires stretching the fabric by pulling the CANOPY fabric towards the end of the CANOPY ROD and slightly down. Continue stretching the CANOPY towards the end of the CANOPY ROD until it slides into the corner pocket of the CANOPY.

422L Swing Weekly Maintenance

Inspect and familiarize yourself with the safety warnings and other information that is posted on the decals located on the swing or in the owner's manual.

Inspect all fabric areas for tears and fabric seams for loose or damaged threads. Replace immediately if needed.

Inspect all the hardware for proper tightness, Retighten if needed.

Inspect the wood for weather cracking. The wood is a natural product and there might be slight imperfections that are visible. During normal weathering the wood may crack slightly due to changes in moisture. This is a natural occurrence and does not affect the structural integrity of your swing. The wood should be treated every 3 months, or as needed, with a wood preservative. See your local hardware retailer for suggestions for wood preservatives. Failure to protect the wood will void its warranty.

The canopy is not designed for high winds. If high winds are expected remove the canopy. Failure to follow these instructions can cause damage to the canopy or canopy rods and will void the warranty.

In freezing climates the canopy should be removed, folded and stored in a dry place before the first freeze or snow and until the last freeze or snow has passed. Failure to follow these instructions can cause damage to the canopy or canopy rods and will void the warranty.

Safety Information

CAUTION!

This 422L swing is designed for adult use only

Ensure that the 422L swing is set up on a firm level surface.

Make sure the 422L swing has completely stopped before entering or exiting the swing. Be careful as the swing seat may shift while sitting down or getting up from the swing.

The foot rest should be tucked under the seat when entering or exiting the swing.

Keep all body parts within the swing seat while it is in motion.

Make sure bystanders are at least 5 feet away from the swing while it is in motion. Be careful placing the swing too close to a structure as severe injury might occur if a person gets caught between the structure and the swing or damage might occur if the swing hits the structure.

Be cautious swinging while children are present as they may stray into the path of the swing.

Review the maintenance schedule before each use to ensure the swing is in good working order.

**This swing is for casual relaxation swinging only.
Residential use only.**

CAUTION!
 This 422L swing is designed for adult use only.

Ensure that the 422L swing is set up on a firm level surface.
 Make sure the 422L swing has completely stopped before entering or exiting the swing. Be careful as the swing seat may shift while sitting down or getting up from the swing. The foot rest should be tucked under the seat when entering or exiting the swing. Keep all body parts within the swing seat while it is in motion.
 Make sure bystanders are at least 5 feet away from the swing while it is in motion. Be careful placing the swing too close to a structure as severe injury might occur if a person gets caught between the structure and the swing or damage might occur if the swing hits the structure.
 Be cautious swinging while children are present as they may stray into the path of the swing.
 Review the maintenance schedule before each use to ensure the swing is in good working order.
 This swing is for casual relaxation swinging only. Residential use only.

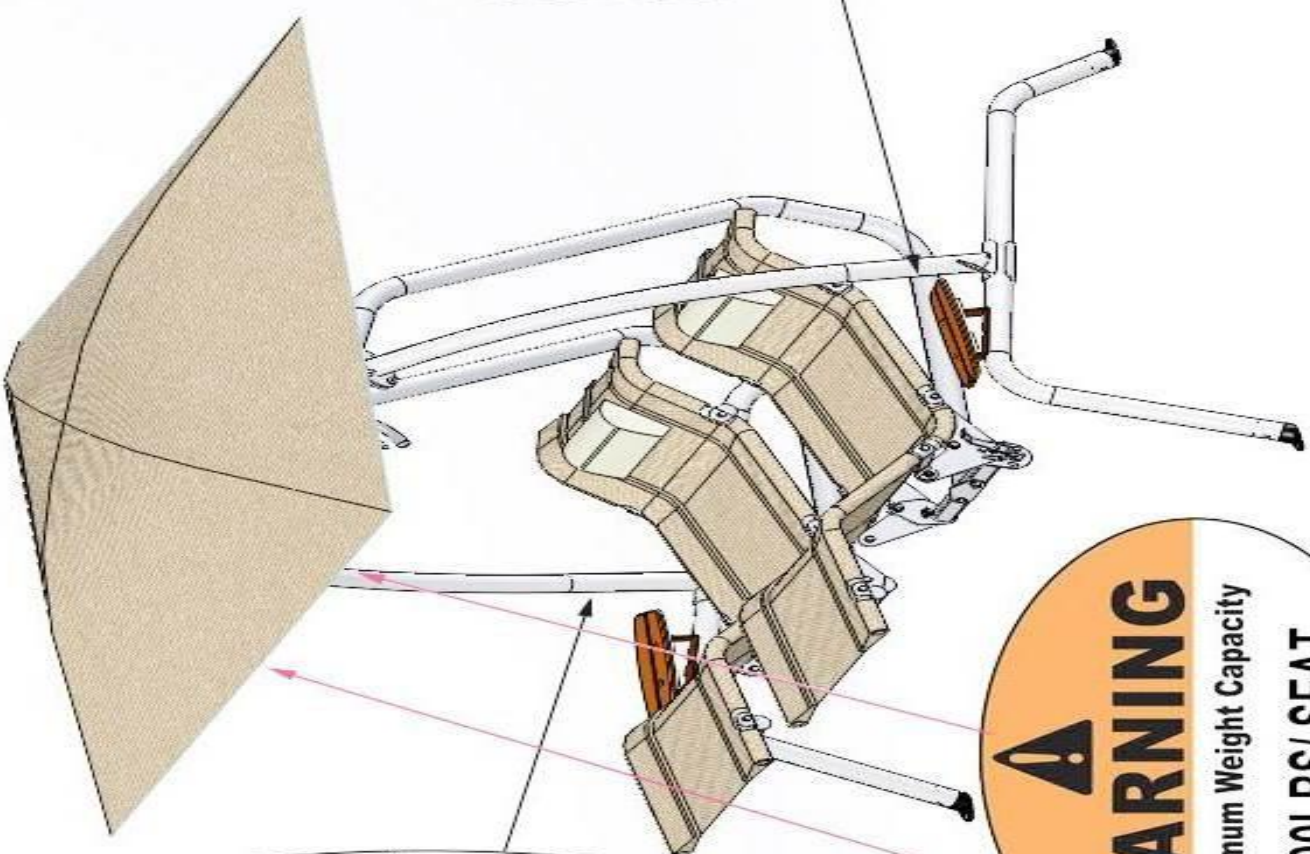
422L Swing Weekly Maintenance

Inspect all fabric areas for tears and fabric seams for loose or damaged threads. Replace immediately if needed.

Inspect all the hardware for proper tightness. Retighten if needed.

Inspect the wood for weather cracking. The wood should be treated every 3 months with a wood preservative to maintain the warranty. See your local hardware retailer for suggestions for wood preservatives.

The canopy is not designed for high winds. If high winds are expected remove the canopy. Failure to remove the canopy can result in damage to the canopy rods or to the canopy itself.



WARNING
 Maximum Weight Capacity
300LBS/ SEAT

Sunset Swings®

By Health In Motion LLC

LIMITED TEN YEAR WARRANTY

Sunset Swings® warrants this product to the original purchaser to be free from defects in workmanship and/or materials under normal use. If, during the warranty period, a component part is defective, *Sunset Swings®* shall repair or replace it (at *Sunset Swings®* option) within a reasonable period of time. This warranty does not cover costs of removal, transportation or reinstallation. This warranty shall not apply if damage is caused by misuse, improper maintenance or assembly, neglect or normal wear and tear. Starting from the original date of purchase, normal wear and tear shall be considered as the following: All failures of the rubber, fabric and wood that occur after 2 years, all failures of bearings, bushings, hardware or powder coated frame that occur after ten years. If the swing is located within 2000 feet of a salt water shore/waterway or 10 feet of a pool, warranties may be void. *Sunset Swings®* sole responsibility shall be to repair or replace the component within the terms stated above. *Sunset Swings®* shall not be liable for any loss or damage of any kind including any incidental or consequential damages resulting, directly or indirectly from any warranty expressed or implied or any other failure of this product.

WHAT IS NOT COVERED BY THIS WARRANTY

Sunset Swings® sole obligation under this warranty is limited to either repair or replacement of parts, subject to the additions below. This warranty neither assumes nor authorizes any person to assume obligations other than expressly covered by this warranty.

NO CONSEQUENTIAL DAMAGES. *Sunset Swings®* is not responsible for economic loss; profit loss; or special, indirect, or consequential damages.

WARRANTY IS NOT TRANSFERABLE. This warranty is not assignable and applies only in favor of the original purchaser/user to whom delivered. Any such assignment or transfer shall void the warranties herein made and shall void all warranties, express, implied or statutory. There are no warranties which extend beyond the description on the face hereof.

ALTERATION, NEGLIGENCE, ABUSE, MISUSE, NORMAL WEAR AND TEAR, ACCIDENT, DAMAGE DURING TRANSIT OR INSTALLATION, FIRE, FLOOD, ACTS OF GOD. *Sunset Swings®* is not responsible for the repair or replacement of any parts that *Sunset Swings®* determines have been subjected after the date of manufacture to alteration, neglect, abuse, misuse, normal wear and tear, accident, damage during transit or installation, fire, flood, or an ACT OF GOD.

TRANSPORTATION COSTS. *Sunset Swings®* will accept parts covered under this warranty freight collect, provided that shipment has received prior approval. *Sunset Swings®* is not responsible for any other transportation costs, but will ship freight collect parts either repaired or replaced under these warranties.

WARRANTY VALIDATION AND CLAIM PROCEDURE. To validate your warranty please complete the enclosed customer warranty registration card or go to www.sunsetswings.com and complete the online warranty registration.

All claims should include: model number, the serial number, proof of purchase, date of installation, and all pertinent information supporting the existence of the alleged defect. In some cases photos may be required to support the claim. Please call for pre-approval of shipment of warranty parts.

Sunset Swings®

Health In Motion LLC

255 Airport Cir, Suite 101

Corona, Ca. 92880

(877) 738-1729

(714) 738-1728 fax