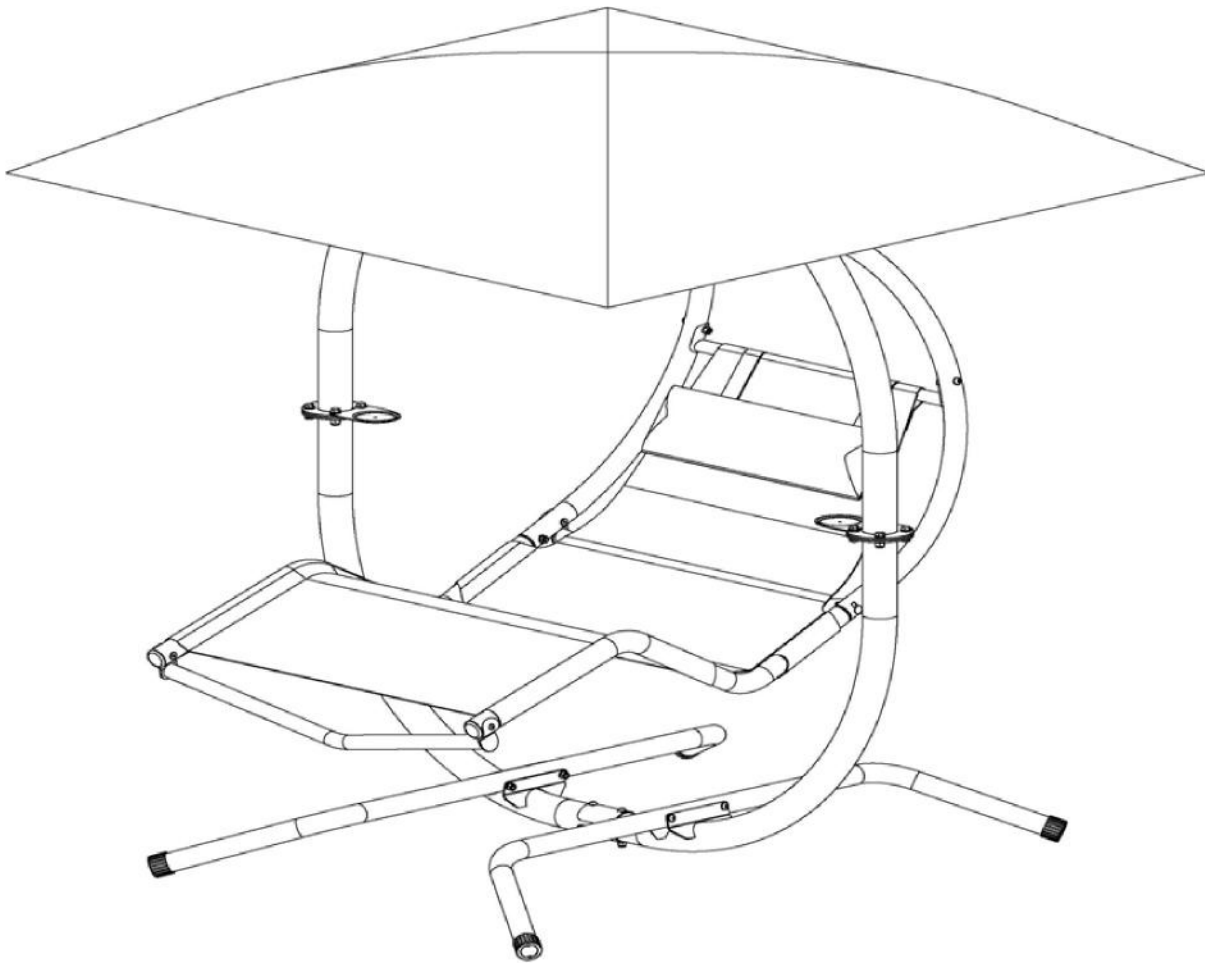


Sunset Swings

By Health in Motion, LLC

Model 421
Lounge Swing

Assembly and Operation Manual



Record Serial Number Here

Caution:

READ! VERY IMPORTANT FOR ADULTS ONLY

Ensure that the 421L swing is set up on a firm level surface.

Make sure the swing has completely stopped before entering or exiting the swing. Be careful as the swing may shift while sitting down or getting up from the swing.

Keep all body parts within the swing seat while in motion.

Make sure bystanders are at least 5 feet away from the swing while it is in motion. Be careful placing the swing too close to a structure as severe injury might occur if a person gets caught between the structure and the swing or damage might occur if the swing hits the structure.

Be cautious swinging while children are present as they may stray into the path of the swing.

Review the maintenance schedule before each use to ensure the swing is in good working order.

This swing is for casual relaxation swinging only.

In freezing climates, the canopy should be removed, folded and stored in a dry place before the first freeze or snow and until the last freeze or snow has passed. Failure to follow these instructions can cause damage to the canopy or canopy rods and will void their warranty.

The canopy is not designed for high winds. If high winds are expected, please remove the canopy. Failure to follow this instruction can cause damage to the canopy or the canopy rods and will void their warranty.

Thank you for choosing Sunset Swings. Please read the contents of this manual thoroughly. The information inside will help you in many different areas. You will need to send in your customer registration card at the back of this manual to validate your warranty. You can also validate your warranty by registering your swing online at www.sunsetswings.com.

Table of Contents

Positioning your swing_____	3
Tools required for assembly _____	3
Helpful installation hints_____	3
Exploded Swing Diagram_____	4
Hardware and Tool Diagram _____	5
Parts and Hardware List_____	6
Assembly Instructions_____	7-17
Leveling Instructions _____	18
General Maintenance and Safety Information_____	19
Label Reference_____	20
Limited Warranty_____	21
Warranty Claim Procedure_____	21

Sunset Swings by Health In Motion LLC reserves the right to alter the specifications of this product at any time.

Positioning Your Swing

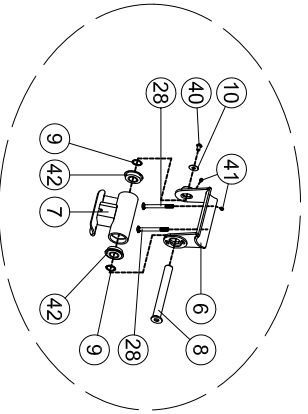
1. The swing is designed to be installed on a level surface.
2. There should be a minimum clearance of five feet in front and back, and two feet on each side of your swing. It should be placed in an area where children will not stray or walk into the path of the swing.

Tools required for assembly

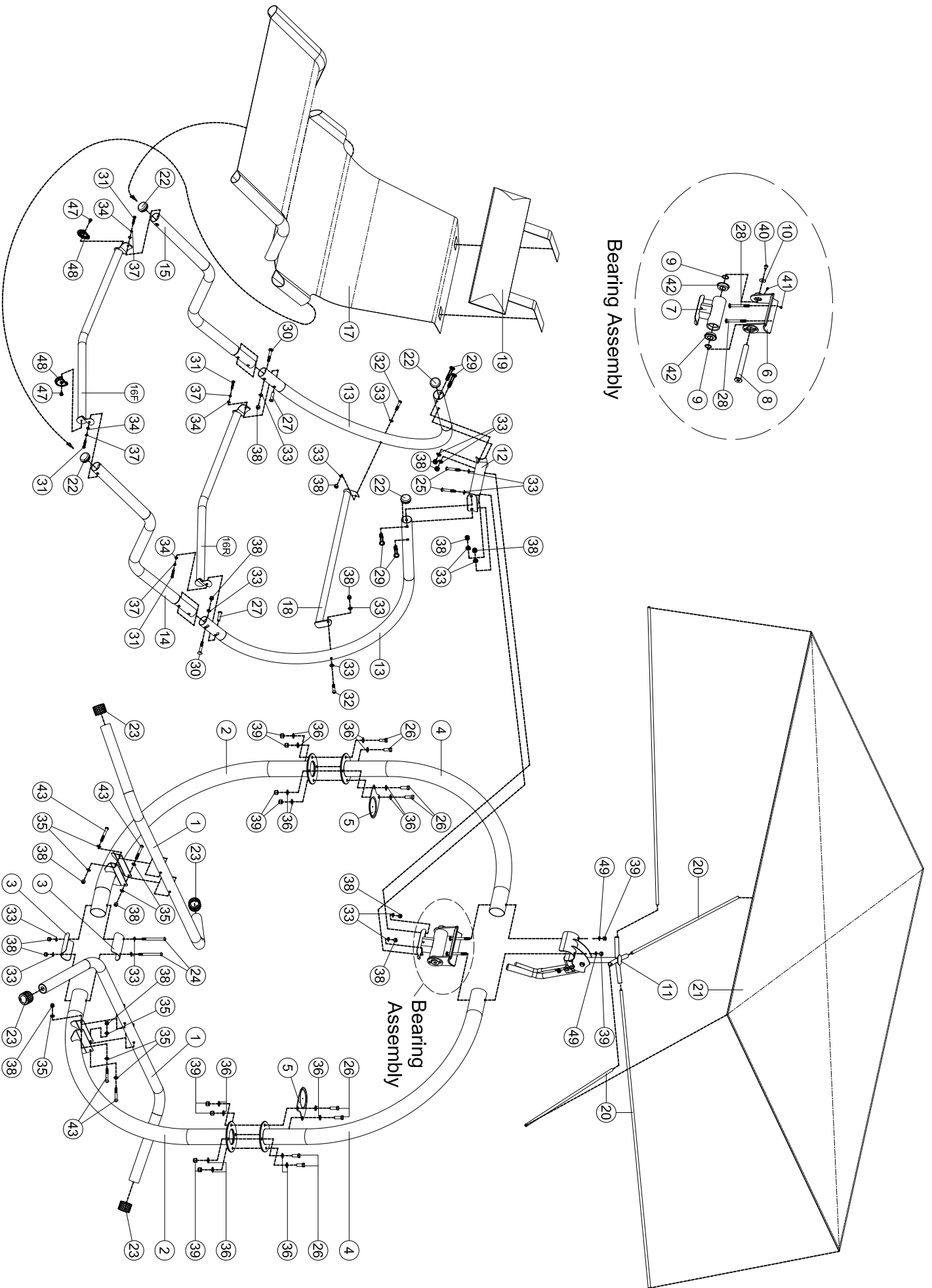
1. 17, 18 and 19 mm box or ratchet wrench
2. 4, 5 and 6 mm Allen wrenches (Supplied with hardware)

Helpful installation hints

1. **At least 2 people are recommended to assemble this swing. Some parts are large and heavy. Use care when handling.**
2. Identify all of the parts for your swing. Empty the boxes and lay out the parts for identification using the Parts List.
3. Read all the way through the instructions completely before beginning the assembly.
4. Do not tighten hardware completely until instructed. It helps to have some adjustment for bolt alignment while you are connecting parts. Follow the tightening sequence as mentioned in the steps. **After you have completed the assembly, recheck that all hardware is secure and tight.**



Bearing Assembly



EXPLODED DIAGRAM

Hardware and Tool Diagram



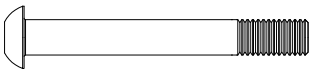
#35 M10 Flat Washer (Qty 8)



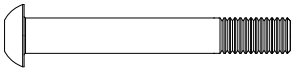
#34 M8 Arc Washer (Qty 4)



#33 M10 Arc Washer (Qty 18)



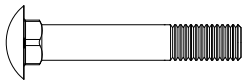
#43 M10 x 3 $\frac{1}{8}$ " Button Head Bolt (Qty 4)



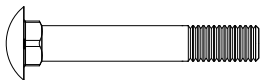
#32 M10 x 2 $\frac{3}{4}$ " Button Head Bolt (Qty 2)



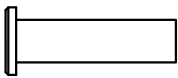
#31 M8 x 1 $\frac{3}{4}$ " Button Head Bolt (Qty 4)



#30 M10 x 2 $\frac{5}{8}$ " Carriage Bolt (Qty 2)



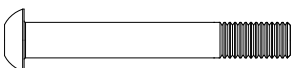
#29 M10 x 2 $\frac{3}{4}$ " Carriage Bolt (Qty 4)



#27 M8 x 1 $\frac{3}{4}$ " T-Nut (Qty 2)



#26 M12 x 1 $\frac{3}{8}$ " Hex Head Bolt (Qty 8)



#25 M10 x 3" Button Head Bolt (Qty 2)



#24 M10 x 4 $\frac{1}{4}$ " Button Head Bolt (Qty 2)



#49 M12 Arc Washer (Qty 2)



#46 TOOL: 4mm Allen Wrench (Qty 1)



#45 TOOL: 5mm Allen Wrench (Qty 1)



#44 TOOL: 6mm Allen Wrench (Qty 1)



#39 M12 Lock Nut (Qty 10)



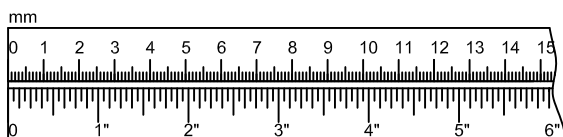
#38 M10 Lock Nut (Qty 16)



#37 M8 Lock Washer (Qty 4)



#36 M12 Flat Washer (Qty 16)



Parts List

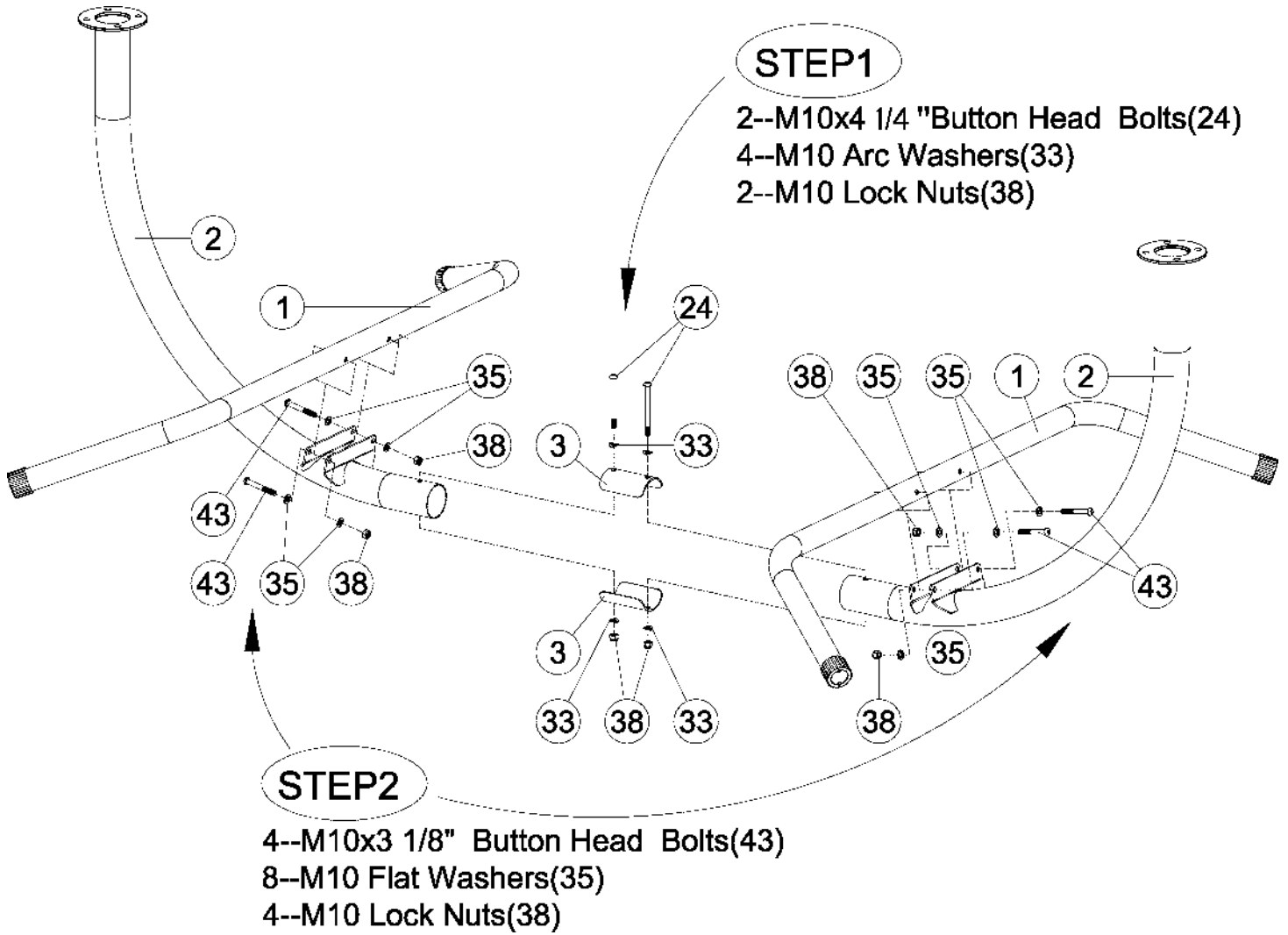
Part#	Description	Q'ty (pcs)
1	Base Tube	2
2	Lower Upright	2
3	Arc Splint	2
4	Upper Upright	2
5	Cup Holder	2
6*	Pivot Assembly	1
7*	Bearing Support	1
8*	Pivot Shaft Assembly	1
9*	01" Spacer	2
10*	03/8" Washer	1
11	Canopy Support Assembly	1
12	Top Bracket Assembly	1
13	Arc Support Tube	2
14	Bent Seat Tube(left)	1
15	Bent Seat Tube(right)	1
16	Separator Assembly	2
17	Seat Fabric	1
18	Head Cross Assembly	1
19	Pillow	1
20	Canopy Rod	4
21	Canopy	1
22	02" End Cap	4
23	02" Outside End Cap	4
24	M10* 4 1/4" Button Head Bolt	2

* All part of Bearing Assembly

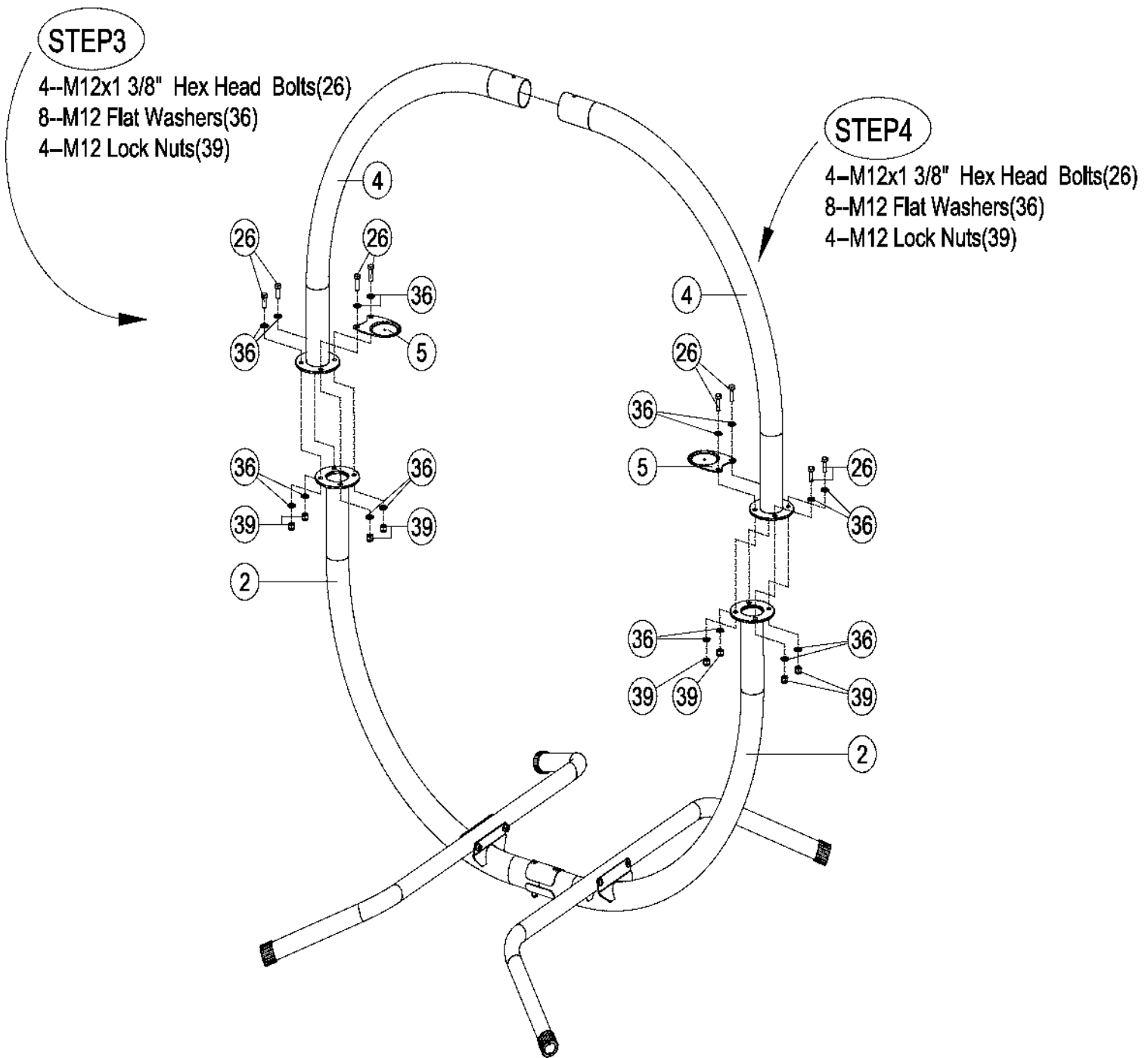
Hardware List

Part#	Description	Q'ty (pcs)
25	M10*3" Button Head Bolt	2
26	M12*1 3/8" Hex Head Bolt	8
27	M8*1 3/4" T-nut	2
28*	M10*4 1/8" Carriage Bolt	2
29	M10*2 3/4" Carriage Bolt	4
30	M10*2 5/8" Carriage Bolt	2
31	M8*1-3/4" Button Head Bolt	4
32	M10*2 3/4" Button Head Bolt	2
33	M10 Arc Washer	20
34	M8 Arc Washer	4
35	M10 Flat Washer	8
36	M12 Flat Washer	16
37	M8 Lock Washer	4
38	M10 Lock Nut	16
39	M12 Lock Nut	10
40*	Button Head Screw	1
41*	Set Screw	2
42*	Bearing	2
43	M10*3 1/8" Button Head Bolt	4
44	6mm Allen Wrench	1
45	5mm Allen Wrench	1
46	4mm Allen Wrench	1
47	M5*3/8" Truss Head Screw	2
48	Bumper	2

49 M12 Arc Washer 2



Tighten all the hardware in Steps 1 and 2 at this time. Ensure that the drain holes in the center of the Base Tubes (Item 1) and between the mounting hardware are facing down towards the ground.

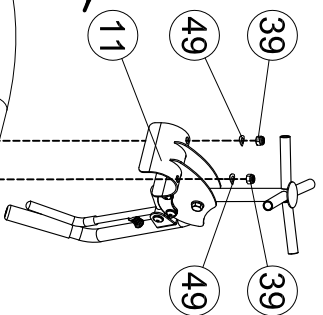


The Cup Holders (Item 5) can be placed as shown or they can be placed so that they face towards the front of the swing.

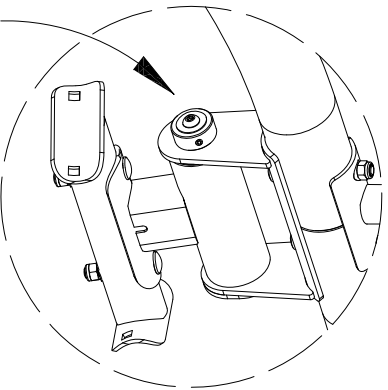
Do NOT tighten the hardware in Steps 3 and 4 at this time.

STEP5

- 2--M12 Arc Washers(49)
- 2--M12 Lock Nuts(39)

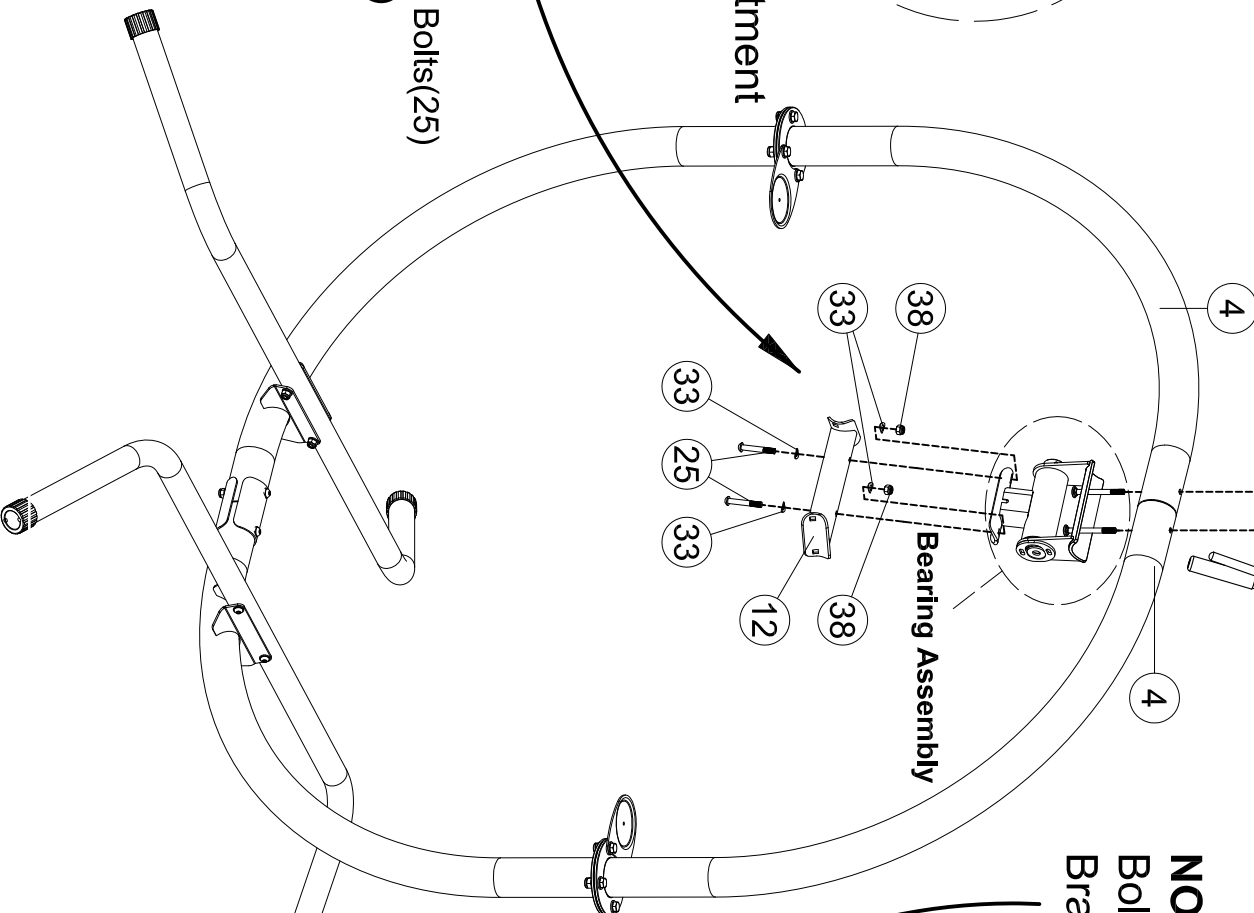


Button Head Adjustment

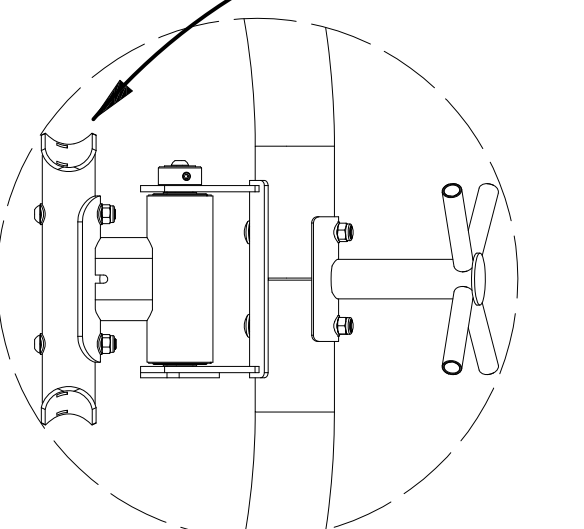


STEP6

- 2--M10x 3" Button Head Bolts(25)
- 4--M10 Arc Washers(33)
- 2--M10 Lock Nuts(38)

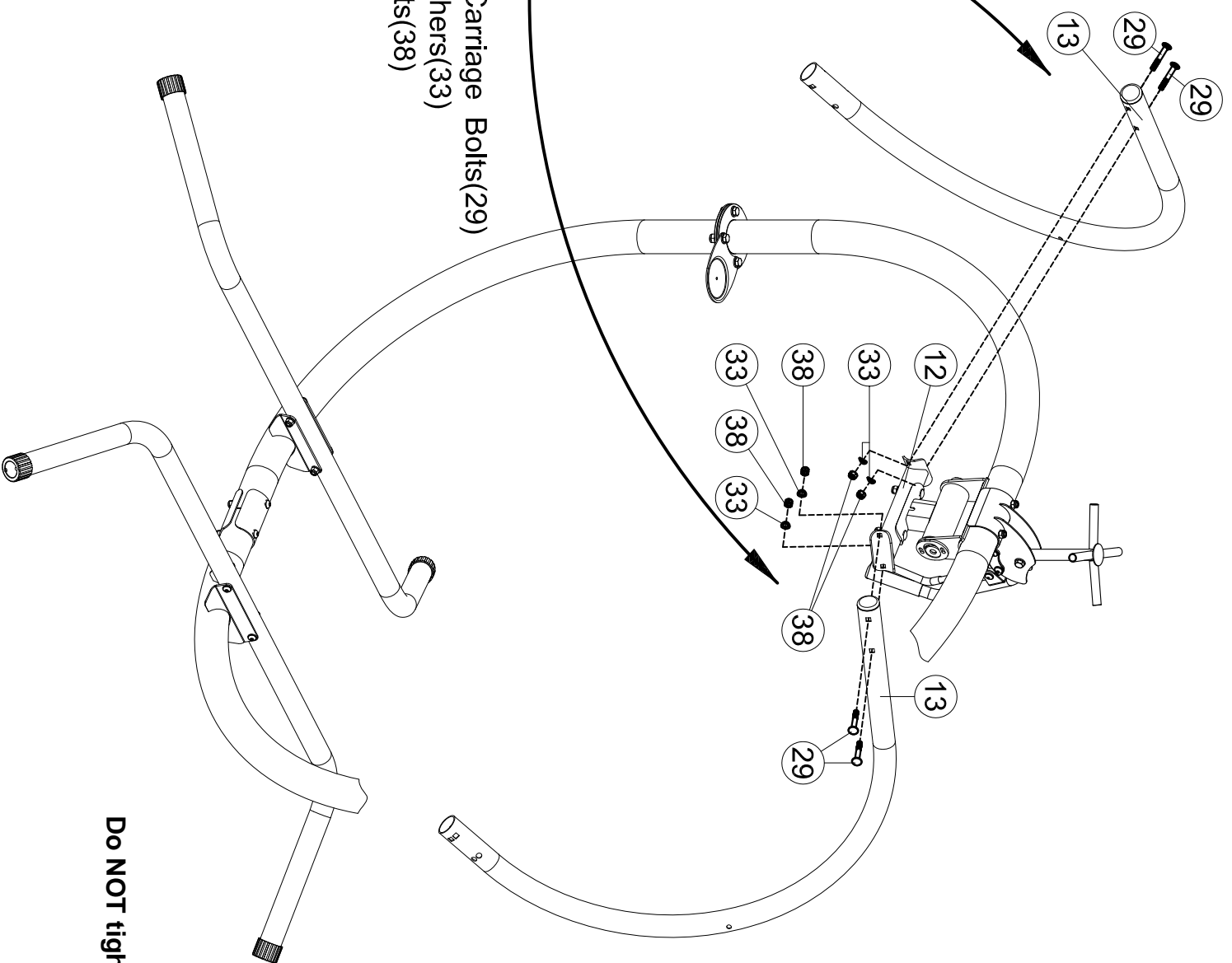


NOTE: Do NOT attach upside down !
 Bolt holes must be on bottom of Top Bracket Assembly



Please make sure that the Top Bracket Assembly is mounted so that the bolt holes are on the lower half of the assembly as shown. If the Top Bracket Assembly is not properly mounted, the Arc Support Tubes and the Bent Seat Tubes (installed in Steps 7 & 8) will not be wide enough to install the Separator Assembly (Step 11). The tubes will be too close together.

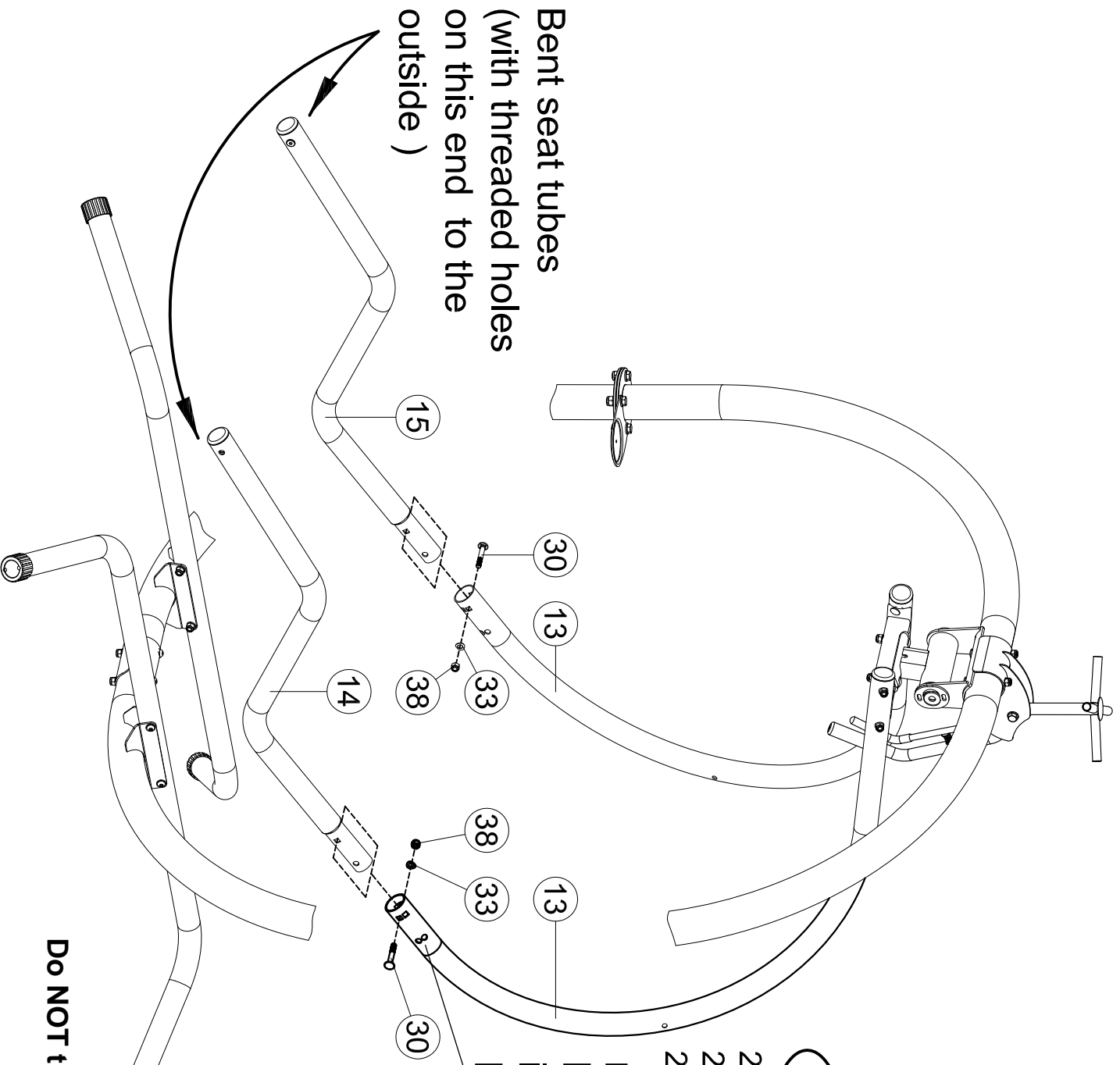
Tighten all hardware in Steps 3, 4, 5 and 6 at this time.



STEP 7

- 4--M10x2 3/4" Carriage Bolts(29)
- 4--M10 Arc Washers(33)
- 4--M10 Lock Nuts(38)

Do NOT tighten the hardware in Step 7 at this time.



Bent seat tubes
(with threaded holes
on this end to the
outside)

STEP8

- 2--M10x2 5/8" Carriage Bolts(30)
- 2--M10 Arc Washers(33)
- 2--M10 Lock Nuts(38)

NOTE:
Bolts do not get
installed in these
holes until step9

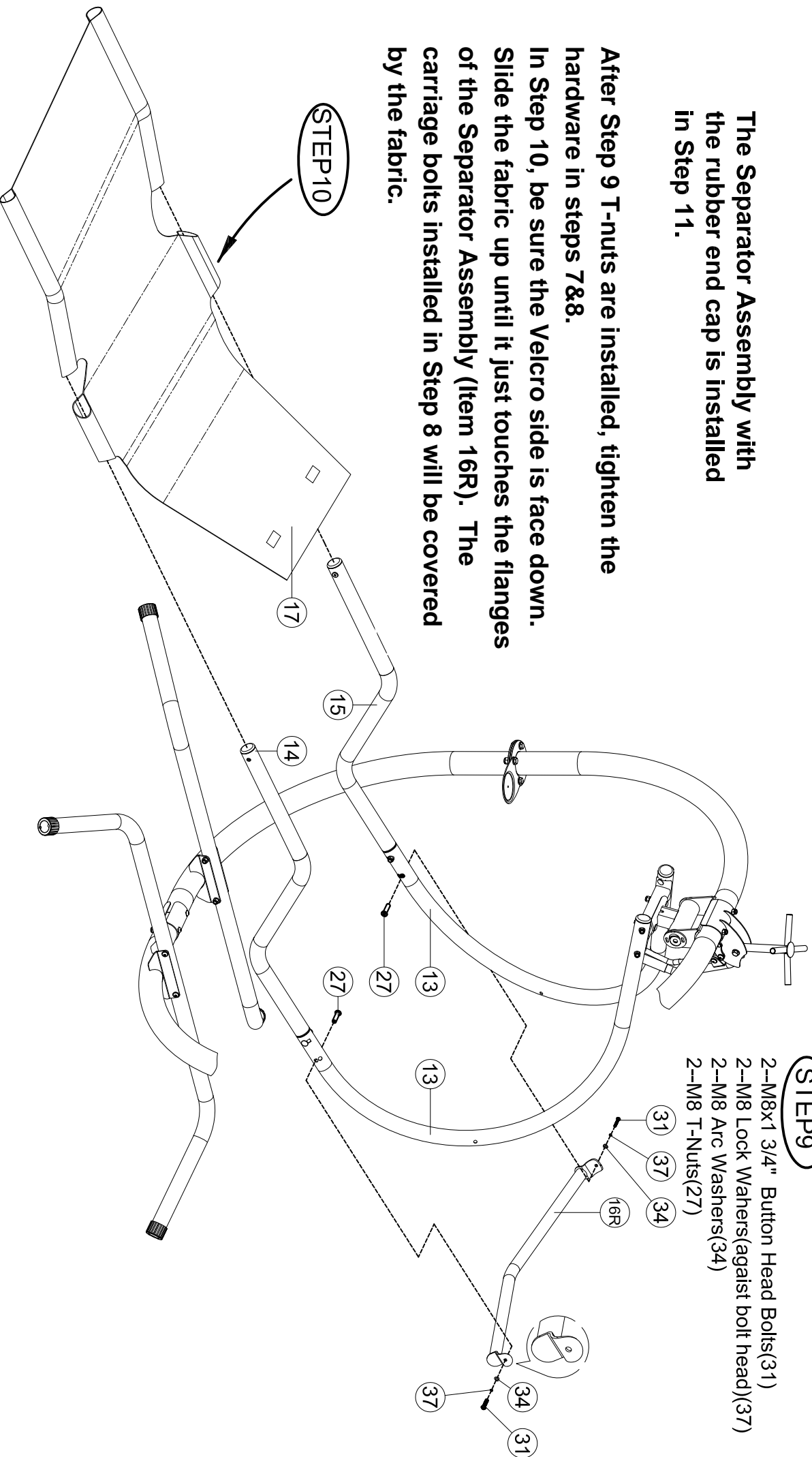
Do NOT tighten the hardware in step 8 at this time.

IMPORTANT: Do not tighten bolts in Step 9. Just engage 3 or 4 threads of the bolts into the T-Nuts.

The Separator Assembly with the rubber end cap is installed in Step 11.

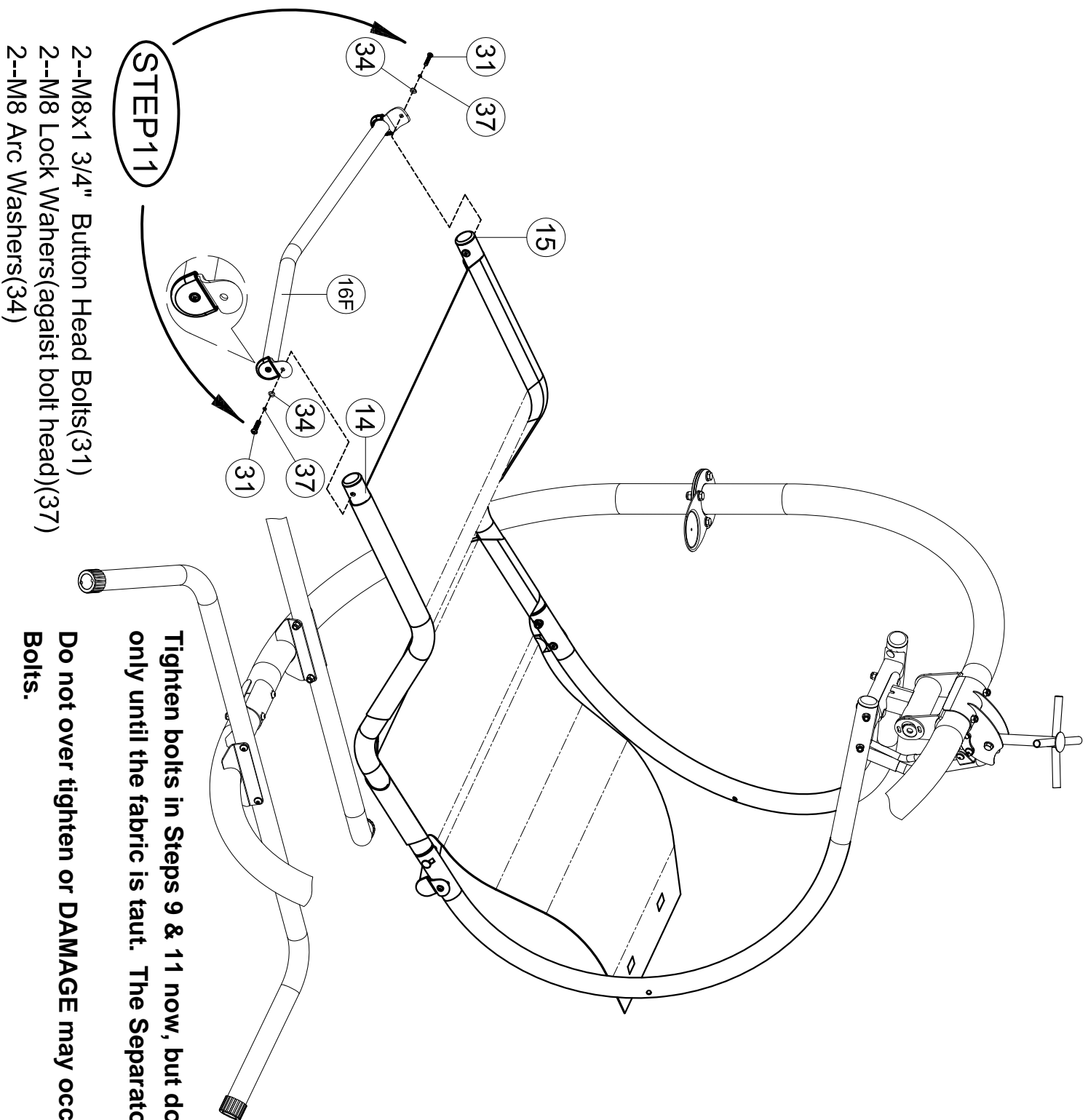
After Step 9 T-nuts are installed, tighten the hardware in steps 7&8.

In Step 10, be sure the Velcro side is face down. Slide the fabric up until it just touches the flanges of the Separator Assembly (Item 16R). The carriage bolts installed in Step 8 will be covered by the fabric.



STEP9

- 2--M8x1 3/4" Button Head Bolts(31)
- 2--M8 Lock Washers(against bolt head)(37)
- 2--M8 Arc Washers(34)
- 2--M8 T-Nuts(27)



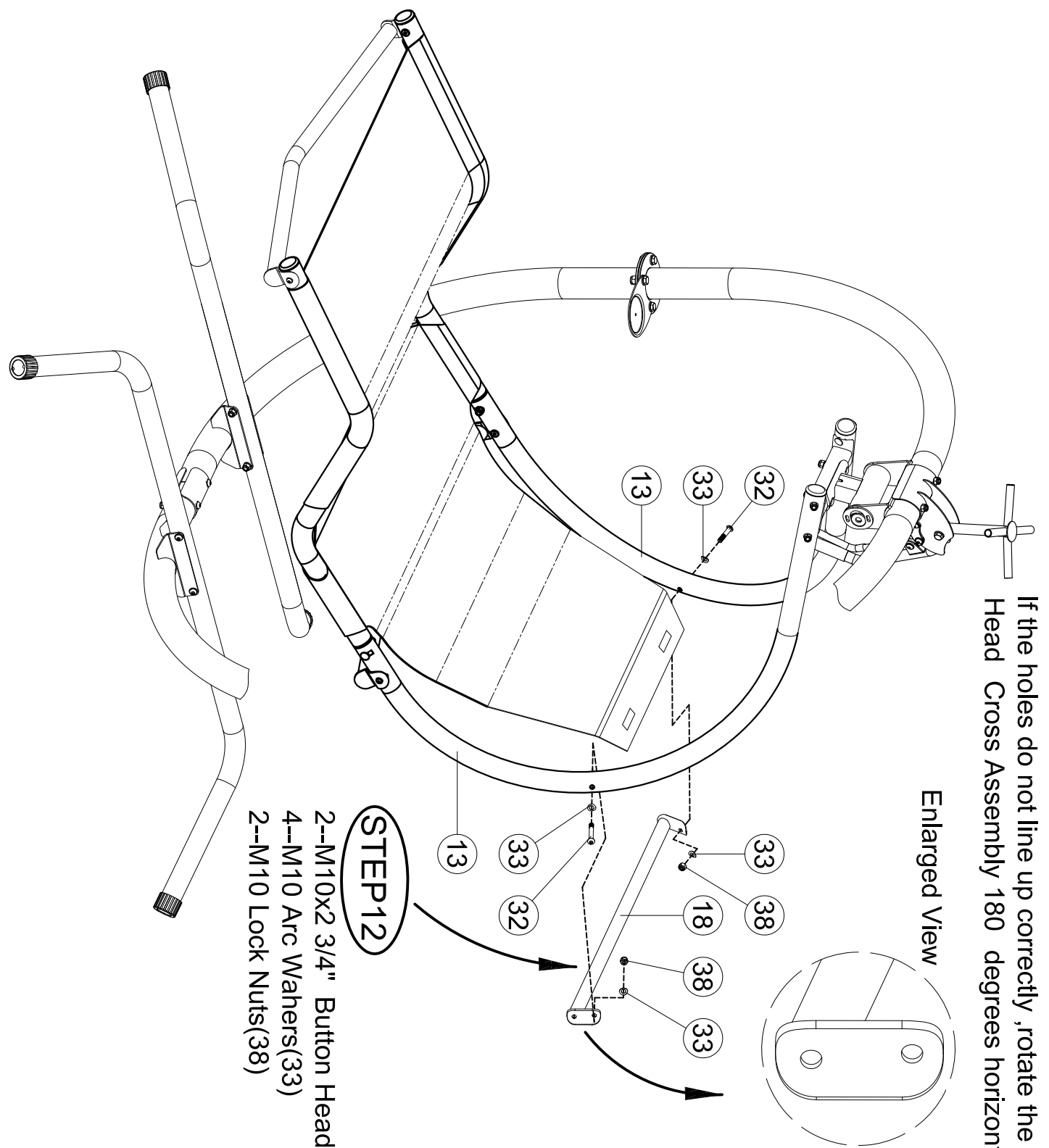
- 2--M8x1 3/4" Button Head Bolts(31)
- 2--M8 Lock Washers(against bolt head)(37)
- 2--M8 Arc Washers(34)

Tighten bolts in Steps 9 & 11 now, but do not over tighten. Tighten the bolts only until the fabric is taut. The Separator Assemblies may be a little loose.

Do not over tighten or DAMAGE may occur to the fabric or the Button Head Bolts.

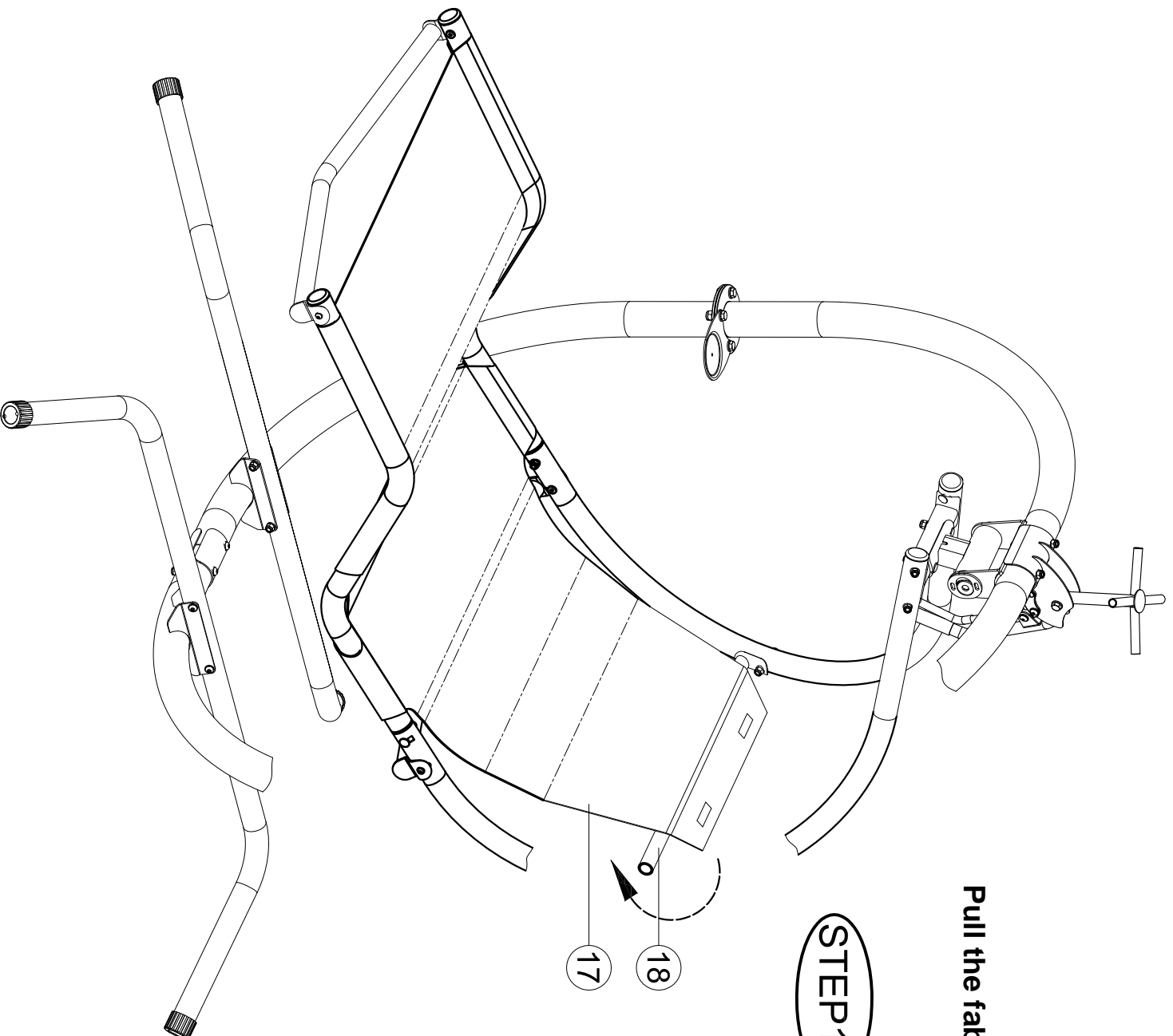
Note orientation of the Head Cross Assembly
 If the holes do not line up correctly, rotate the
 Head Cross Assembly 180 degrees horizontally

Enlarged View



STEP 12

- 2--M10x2 3/4" Button Head Bolts(32)
- 4--M10 Arc Washers(33)
- 2--M10 Lock Nuts(38)



Pull the fabric tight before securing the Velcro.

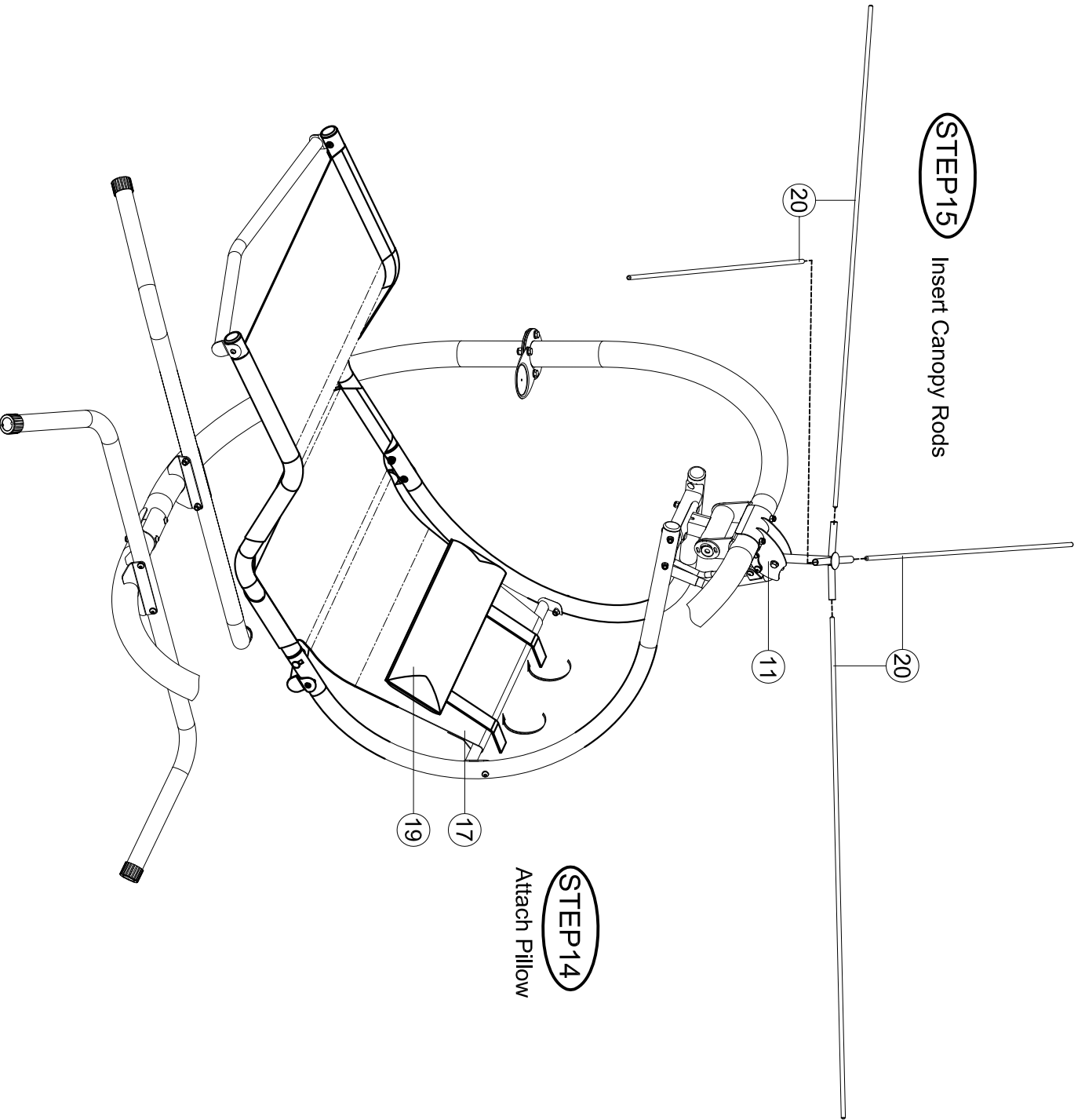
STEP 13

CAUTION: The Velcro must have full engagement. To make sure you have maximum Velcro adhesion, apply pressure while rubbing on both sides of the Velcro engagement area.

Failure to ensure that the Velcro has full adhesion can result in serious injury to people using the swings as the fabric will not be able to support their weight and they may fall backwards out of the swing.

STEP15

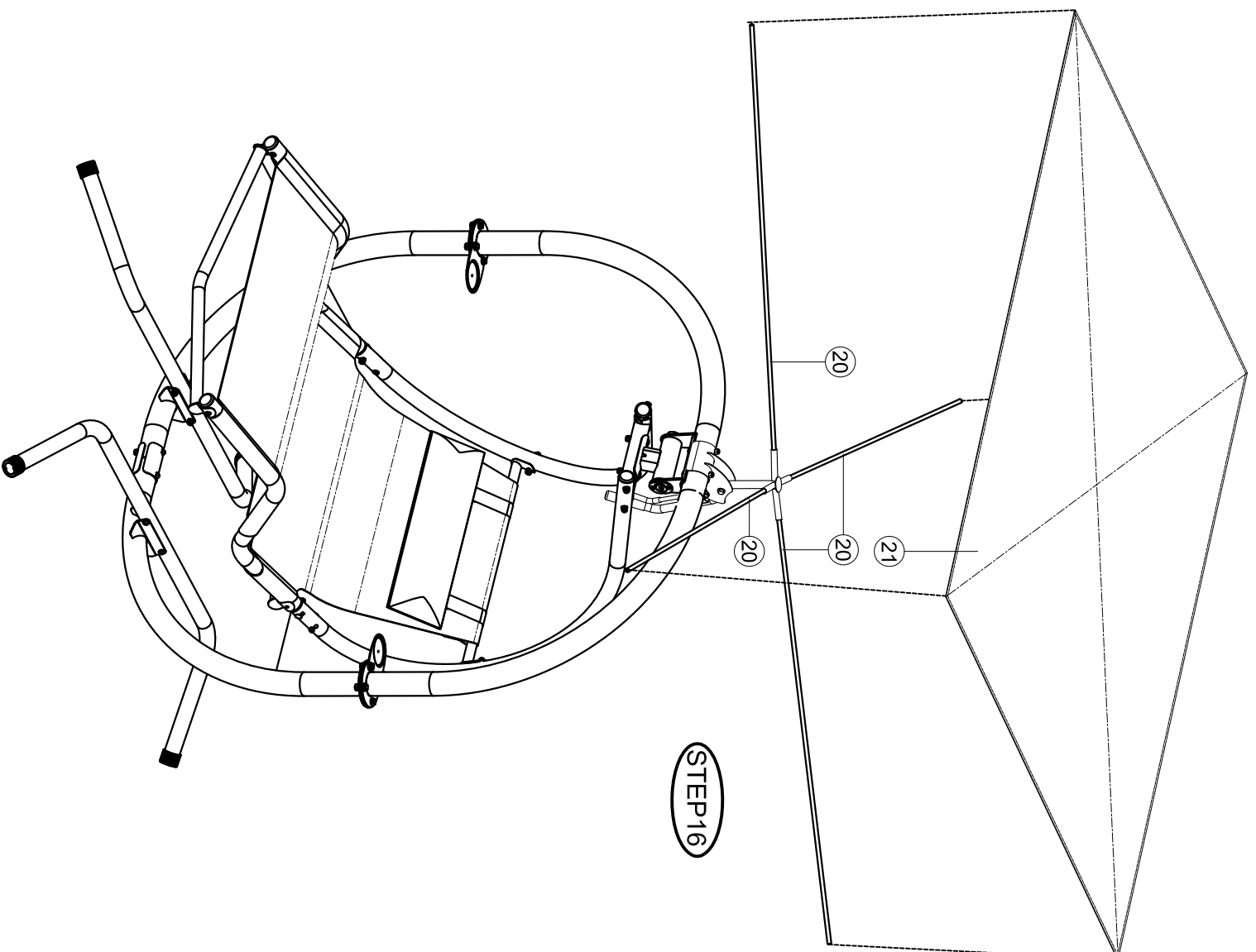
Insert Canopy Rods



STEP14

Attach Pillow

17
19



STEP 16

Note: If the canopy is too cold it will not stretch enough to get it over the last canopy rod. Place the canopy in a warm room of the house, or in the sun, until it warms up enough to stretch over the last canopy rod.

The canopy for the 421 Lounge Swing is a rectangular piece of fabric with pocketed corners. The Canopy can be installed to provide for more shade from front to back or from side to side. This is done by placing the longer part of the rectangular canopy in line with the part of the swing that you want to provide more shade.

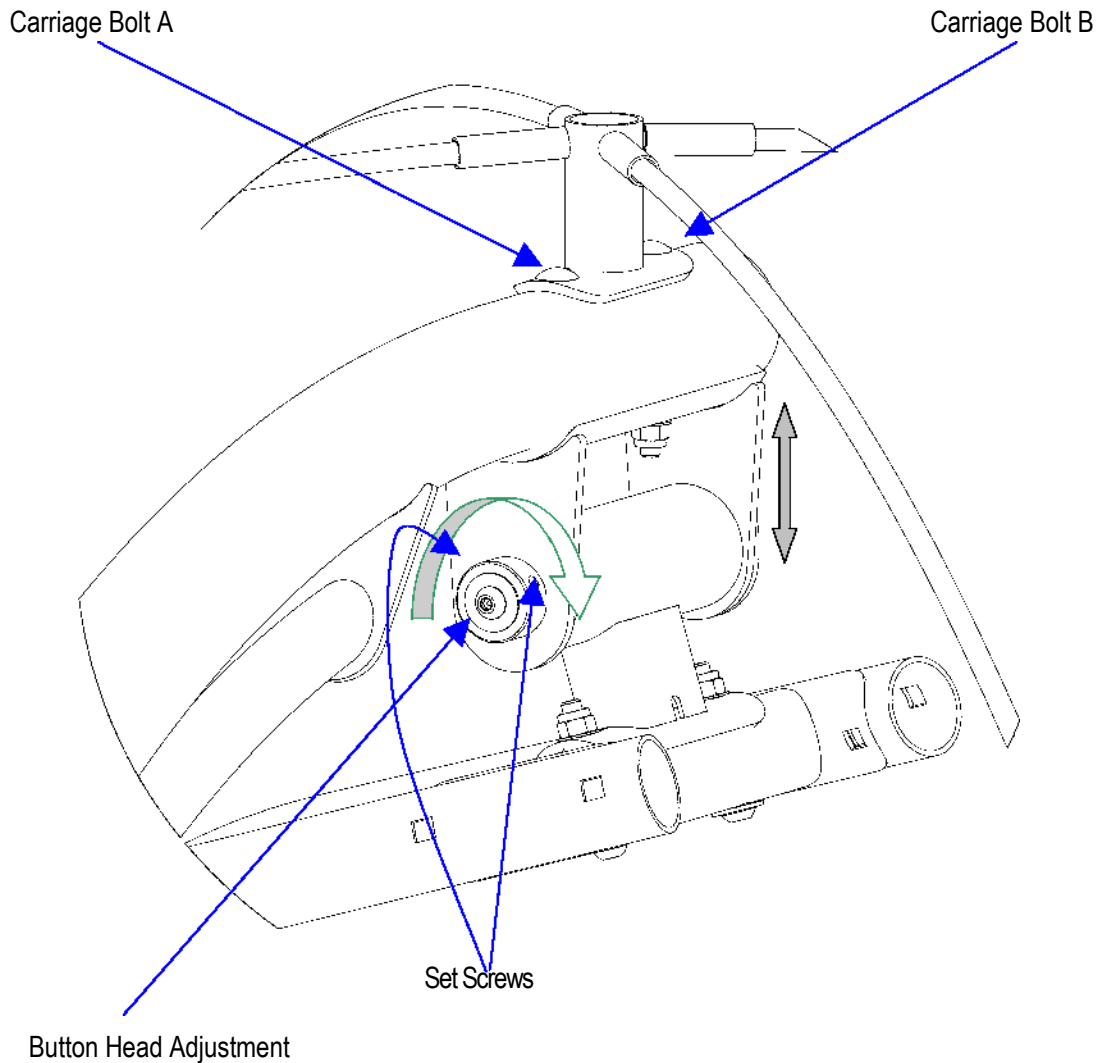
To install the canopy begin by laying the canopy on top of the Canopy Rods. Next slide one of the pocketed corners of the Canopy onto one of the Canopy Rods. Repeat this procedure around the swing to install the next two corners. Getting the last corner onto the Canopy Rod requires pulling the canopy fabric slightly down and towards the end of the Canopy Rod until it slides into the corner pocket of the Canopy.

Leveling the Seat (Optional)

Make sure the two set screws are loose and do not come in contact with the inner shaft. Then rotate the button head adjustment, with the Allen wrench, clockwise to tilt swing up and down until seat is level and visually pleasing. Then tighten both set screws.

Leveling the Canopy (optional)

Leveling the Canopy can be achieved by placing an extra washer or two on either carriage bolt A or carriage bolt B, between the Canopy Support Assembly and the Upper Upright.



421L Swing Weekly Maintenance

Inspect and familiarize yourself with the safety warnings and other information that is posted on the decals located on the swing or in the owner's manual.

Inspect all fabric areas for tears and fabric seams for loose or damaged threads. Replace immediately if needed.

Inspect all the hardware for proper tightness, Retighten if needed.

The canopy is not designed for high winds. If high winds are expected remove the canopy. Failure to follow these instructions can cause damage to the canopy or canopy rods and will void the canopy or canopy rod warranty.

In freezing climates the canopy should be removed, folded and stored in a dry place before the first freeze or snow and until the last freeze or snow has passed. Failure to follow these instructions can cause damage to the canopy or canopy rods and will void the canopy or canopy rod warranty.

SAFETY INFORMATION

Velcro MUST have full area engagement behind the head. To ensure maximum Velcro adhesion, apply pressure while rubbing on both sides of Velcro engagement region. Check Velcro adhesion each time before using swing.

Ensure that the 421L swing is set up on a firm level surface. Be careful placing the swing too close to a structure as severe injury might occur if a person gets caught between the structure and the swing or damage might occur if the swing hits the structure.

Make sure swing has completely stopped before entering or exiting the swing. Be careful as swing may shift while entering or exiting. Keep all body parts within the swing seat while it is in motion.

Make sure bystanders are at least 5 feet away from the swing while it is in motion. Be cautious swinging while children are present as they may stray into the path of the swing.

Review the maintenance schedule before each use to ensure the swing is in good working order.

This swing is for casual relaxation swinging only. Residential use only.

Label Reference Images



HEALTH IN MOTION, LLC

ADDRESS / ADRESSE / DIRECCIÓN:

255 AIRPORT CIR SUITE 101
CORONA, CA 92880

SALES AND SERVICE / VENDE ET SERVICE / VENTAS Y SERVICIOS:
(877) 738-1729

MODEL / MODÈLE / MODELO:

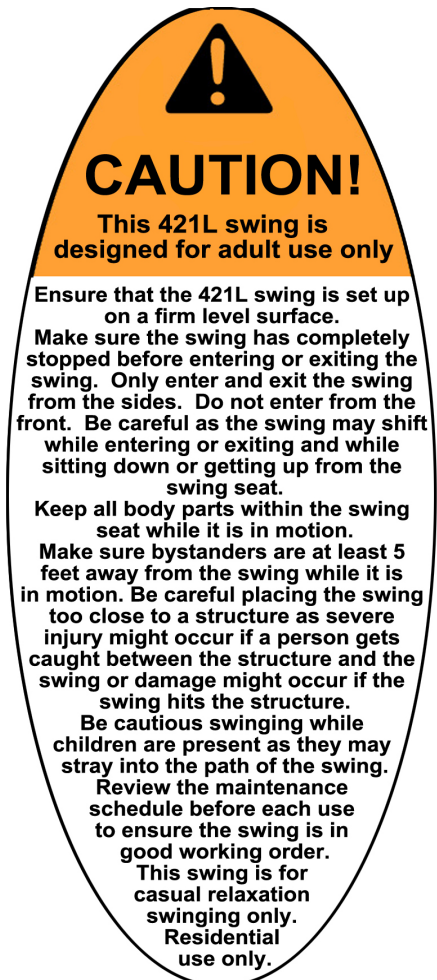
421L

SERIAL NO. / NO DE SÉRIE / N.º DE SERIE:

421L-4-22-XXXX-XXXXXX



MADE IN CHINA / FABRIQUÉ EN CHINE / FABRICADO EN CHINA
V11012021



PLEASE KEEP THIS FOR YOUR RECORDS

Sunset Swings

By Health In Motion LLC

LIMITED TEN YEAR WARRANTY

Sunset Swings warrants this product to the original purchaser to be free from defects in workmanship and/or materials under normal use. If at any time a component part is defective, *Sunset Swings* shall repair or replace it (at *Sunset Swings* option) within a reasonable period of time. This warranty does not cover costs of removal, transportation or reinstallation. This warranty shall not apply if damage is caused by misuse, improper maintenance or assembly, neglect or normal wear and tear. Starting from the original date of purchase, normal wear and tear shall be considered as the following: All failures of the rubber, fabric and wood that occur after 2 years, all failures of bearings, bushings, hardware or powder coated frame that occur after ten years. If the swing is located within 2000 feet of a salt water shore/waterway or 10 feet of a pool, warranties may be void. *Sunset Swings* sole responsibility shall be to repair or replace the component within the terms stated above. *Sunset Swings* shall not be liable for any loss or damage of any kind including any incidental or consequential damages resulting, directly or indirectly from any warranty expressed or implied or any other failure of this product.

WHAT IS NOT COVERED BY THIS WARRANTY

Sunset Swings sole obligation under this warranty is limited to either repair or replacement of parts, subject to the additions below. This warranty neither assumes nor authorizes any person to assume obligations other than expressly covered by this warranty.

NO CONSEQUENTIAL DAMAGES. *Sunset Swings* is not responsible for economic loss; profit loss; or special, indirect, or consequential damages.

WARRANTY IS NOT TRANSFERABLE. This warranty is not assignable and applies only in favor of the original purchaser/user to whom delivered. Any such assignment or transfer shall void the warranties herein made and shall void all warranties, express, implied or statutory. There are no warranties which extend beyond the description on the face hereof.

ALTERATION, NEGLIGENCE, ABUSE, MISUSE, NORMAL WEAR AND TEAR, ACCIDENT, DAMAGE DURING TRANSIT OR INSTALLATION, FIRE, FLOOD, ACTS OF GOD. *Sunset Swings* is not responsible for the repair or replacement of any parts that *Sunset Swings* determines have been subjected after the date of manufacture to alteration, neglect, abuse, misuse, normal wear and tear, accident, damage during transit or installation, fire, flood, or an ACT OF GOD.

TRANSPORTATION COSTS. *Sunset Swings* will accept parts covered under this warranty freight collect, provided that shipment has received prior approval. *Sunset Swings* is not responsible for any other transportation costs, but will ship freight collect parts either repaired or replaced under these warranties.

WARRANTY VALIDATION AND CLAIM PROCEDURE. To validate your warranty please complete the enclosed customer warranty registration card or go to www.sunsetswings.com and complete the online warranty registration.

All claims should include: model number, the serial number, proof of purchase, date of installation, and all pertinent information supporting the existence of the alleged defect. In some cases photos may be required to support the claim. Please call for pre-approval of shipment of warranty parts.

Sunset Swings

Health In Motion LLC

255 Airport Cir, Suite 101

Corona, CA 92880

(877) 738-1729

(714) 738-1728 Fax